

# BUTTERFLY VALVES VÁLVULAS DE MARIPOSA

**BODY:**  
Ductile iron GJS-400-15

**DISC:**  
Ductile iron GJS-400-15

**SEAT:**  
EPDM

**SHAFT:**  
Stainless steel AISI 420

**FACE TO FACE DISTANCE:**  
EN 558-1 series 20

**EPOXY PAINT:**  
250 µm

**CUERPO:**  
Fundición dúctil GJS-400-15

**DISCO:**  
Fundición dúctil GJS-400-15

**ASIENTO:**  
EPDM

**EJE:**  
Acero inox. AISI 420

**DISTANCIA ENTRE CARAS:**  
EN 558-1 serie 20

**PINTURA EPOXI:**  
250 µm



## WAFER CONCENTRIC VALVE EJE CENTRADO WAFER

DN	HAND LEVER PALANCA	PN 10/16 – ANSI 125/150#	GEARBOX REDUCTOR	PN 10/16 – ANSI 125/150#
40	21A.040.11111		21A.040.11112	
50	21A.050.11111		21A.050.11112	
65	21A.065.11111		21A.065.11112	
80	21A.080.11111		21A.080.11112	
100	21A.100.11111		21A.100.11112	
125	21A.125.11111		21A.125.11112	
150	21A.150.11111		21A.150.11112	
200	21A.200.11111		21A.200.11112	
250	21A.250.11111		21A.250.11112	
300	21A.300.11111		21A.300.11112	
350	—		21A.350.11112	
400	—		21A.400.11112	
450	—		21A.450.11112	
500	—		21A.500.11112	
600	—		21A.600.11112	
700	—		21A.700.11112	
800	—		21A.800.11112	
900	—		21A.900.11112	
1.000	—		21A.1000.11112	
1.200	—		21A.1200.11112	

• Valves DN40-300 are also compatible with standards BS10-table D/E and JIS 10K. Valves DN350-600 are also compatible with standards BS10-table E and AS2129.

• Check availability for NBR, Viton, Hypalon, PTFE, etc. seats.

• Las válvulas DN40-300 son además compatibles con las normativas BS10-tabla D/E y JIS 10K. Las válvulas DN350-600 son además compatibles con las normativas BS10-tabla E y AS2129.

• Consultar disponibilidad de asientos en NBR, Viton, Hypalon, PTFE, etc.





**BODY:**  
Ductile iron GJS-400-15

**DISC:**  
Stainless steel CF8M

**SEAT:**  
EPDM

**SHAFT:**  
Stainless steel AISI 420

**FACE TO FACE DISTANCE:**  
EN 558-1 series 20

**EPOXY PAINT:**  
250 µm

**CUERPO:**  
Fundición dúctil GJS-400-15

**DISCO:**  
Acero inox. CF8M

**ASIENTO:**  
EPDM

**EJE:**  
Acero inox. AISI 420

**DISTANCIA ENTRE CARAS:**  
EN 558-1 serie 20

**PINTURA EPOXI:**  
250 µm



**WAFER CONCENTRIC VALVE**  
EJE CENTRADO WAFER

DN	HAND LEVER PALANCA	PN 10/16 – ANSI 150#	GEARBOX REDUCTOR	PN 10/16 – ANSI 150#
40	21A.040.12111		21A.040.12112	
50	21A.050.12111		21A.050.12112	
65	21A.065.12111		21A.065.12112	
80	21A.080.12111		21A.080.12112	
100	21A.100.12111		21A.100.12112	
125	21A.125.12111		21A.125.12112	
150	21A.150.12111		21A.150.12112	
200	21A.200.12111		21A.200.12112	
250	21A.250.12111		21A.250.12112	
300	21A.300.12111		21A.300.12112	
350	—		21A.350.12112	
400	—		21A.400.12112	
450	—		21A.450.12112	
500	—		21A.500.12112	
600	—		21A.600.12112	
700	—		21A.700.12112	
800	—		21A.800.12112	
900	—		21A.900.12112	
1.000	—		21A.1000.12112	
1.200	—		21A.1200.12112	

- Valves DN40-300 are also compatible with standards BS10-table D/E and JIS 10K. Valves DN350-600 are also compatible with standards BS10-table E and AS2129.
- Check availability for NBR, Viton, Hypalon, PTFE, etc. seats.

- Las válvulas DN40-300 son además compatibles con las normativas BS10-tabla D/E y JIS 10K. Las válvulas DN350-600 son además compatibles con las normativas BS10-tabla E y AS2129.
- Consultar disponibilidad de asientos en NBR, Viton, Hypalon, PTFE, etc.



20 - SERIES | BUTTERFLY VALVES • VÁLVULAS DE MARIPOSA

**BODY:**  
Ductile iron GJS-400-15

**SEAT:**  
EPDM

**SHAFT:**  
Stainless steel AISI 420

**FACE TO FACE DISTANCE:**  
EN 558-1 series 20

**EPOXY PAINT:**  
250 µm

**CUERPO:**  
Fundición dúctil GJS-400-15

**ASIENTO:**  
EPDM

**EJE:**  
Acero inox. AISI 420

**DISTANCIA ENTRE CARAS:**  
EN 558-1 serie 20

**PINTURA EPOXI:**  
250 µm



**WAFER CONCENTRIC VALVE WITH ELECTRIC ACTUATOR**  
**EJE CENTRADO WAFER CON ACTUADOR ELÉCTRICO**

DN	PN10/16 - ANSI 150#							
	SINGLE PHASE MONOFÁSICO	GJS-400-15 DISC DISCO GJS-400-15	SINGLE PHASE MONOFÁSICO	CF8M DISC DISCO CF8M	THREE PHASE TRIFÁSICO	GJS-400-15 DISC DISCO GJS-400-15	THREE PHASE TRIFÁSICO	CF8M DISC DISCO CF8M
40	21A.040.11113		21A.040.12113		21A.040.11114		21A.040.12114	
50	21A.050.11113		21A.050.12113		21A.050.11114		21A.050.12114	
65	21A.065.11113		21A.065.12113		21A.065.11114		21A.065.12114	
80	21A.080.11113		21A.080.12113		21A.080.11114		21A.080.12114	
100	21A.100.11113		21A.100.12113		21A.100.11114		21A.100.12114	
125	21A.125.11113		21A.125.12113		21A.125.11114		21A.125.12114	
150	21A.150.11113		21A.150.12113		21A.150.11114		21A.150.12114	
200	21A.200.11113		21A.200.12113		21A.200.11114		21A.200.12114	
250	21A.250.11113		21A.250.12113		21A.250.11114		21A.250.12114	
300	21A.300.11113		21A.300.12113		21A.300.11114		21A.300.12114	
350	21A.350.11113		21A.350.12113		21A.350.11114		21A.350.12114	
400	21A.400.11113		21A.400.12113		21A.400.11114		21A.400.12114	
450	21A.450.11113		21A.450.12113		21A.450.11114		21A.450.12114	
500	21A.500.11113		21A.500.12113		21A.500.11114		21A.500.12114	
600	21A.600.11113		21A.600.12113		21A.600.11114		21A.600.12114	
700	—		—		21A.700.11114		21A.700.12114	
800	—		—		21A.800.11114		21A.800.12114	
900	—		—		21A.900.11114		21A.900.12114	
1.000	—		—		21A.1000.11114		21A.1000.12114	
1.200	—		—		21A.1200.11114		21A.1200.12114	

• The single phase actuators has no security hand wheel as standard, it can be installed under request.

• El motor monofásico no lleva volante de seguridad de standard, se puede poner bajo petición.

**BODY:**  
Ductile iron GJS-400-15

**SEAT:**  
EPDM

**SHAFT:**  
Stainless steel AISI 420

**FACE TO FACE DISTANCE:**  
EN 558-1 series 20

**EPOXY PAINT:**  
250 µm

**CUERPO:**  
Fundición dúctil GJS-400-15

**ASIENTO:**  
EPDM

**EJE:**  
Acero inox. AISI 420

**DISTANCIA ENTRE CARAS:**  
EN 558-1 serie 20

**PINTURA EPOXI:**  
250 µm



**WAFER CONCENTRIC VALVE WITH PNEUMATIC ACTUATOR**  
EJE CENTRADO WAFER CON ACTUADOR NEUMÁTICO

DN	PN10/16 - ANSI 150#							
	DOUBLE EFFECT DOBLE EFECTO	GJS-400-15 DISC DISCO GJS-400-15	DOUBLE EFFECT DOBLE EFECTO	CF8M DISC DISCO CF8M	SINGLE EFFECT SIMPLE EFECTO	GJS-400-15 DISC DISCO GJS-400-15	SINGLE EFFECT SIMPLE EFECTO	CF8M DISC DISCO CF8M
40	21A.040.11115		21A.040.12115		21A.040.11116		21A.040.12116	
50	21A.050.11115		21A.050.12115		21A.050.11116		21A.050.12116	
65	21A.065.11115		21A.065.12115		21A.065.11116		21A.065.12116	
80	21A.080.11115		21A.080.12115		21A.080.11116		21A.080.12116	
100	21A.100.11115		21A.100.12115		21A.100.11116		21A.100.12116	
125	21A.125.11115		21A.125.12115		21A.125.11116		21A.125.12116	
150	21A.150.11115		21A.150.12115		21A.150.11116		21A.150.12116	
200	21A.200.11115		21A.200.12115		21A.200.11116		21A.200.12116	
250	21A.250.11115		21A.250.12115		21A.250.11116		21A.250.12116	
300	21A.300.11115		21A.300.12115		21A.300.11116		21A.300.12116	
350	21A.350.11115		21A.350.12115		21A.350.11116		21A.350.12116	
400	21A.400.11115		21A.400.12115		21A.400.11116		21A.400.12116	
450	21A.450.11115		21A.450.12115		21A.450.11116		21A.450.12116	
500	21A.500.11115		21A.500.12115		21A.500.11116		21A.500.12116	
600	21A.600.11115		21A.600.12115		21A.600.11116		21A.600.12116	

• Refer to page 50 to check the different options available for pneumatic actuators.

• Para ver las opciones disponibles para actuadores neumáticos consultar página 50.

20 - SERIES | BUTTERFLY VALVES • VÁLVULAS DE MARIPOSA



**BODY:**  
Stainless steel CF8M

**DISC:**  
Stainless steel CF8M

**SEAT:**  
EPDM

**SHAFT:**  
Stainless steel AISI 420

**FACE TO FACE DISTANCE:**  
EN 558-1 series 20

**CUERPO:**  
Acero inox. CF8M

**DISCO:**  
Acero inox. CF8M

**ASIENTO:**  
EPDM

**EJE:**  
Acero inox. AISI 420

**DISTANCIA ENTRE CARAS:**  
EN 558-1 serie 20



**WAFER CONCENTRIC VALVE**  
EJE CENTRADO WAFER

DN	HAND LEVER PALANCA	PN 10/16 ANSI 150#	GEARBOX REDUCTOR	PN 10/16 ANSI 150#
40	21A.040.32111		21A.040.32112	
50	21A.050.32111		21A.050.32112	
65	21A.065.32111		21A.065.32112	
80	21A.080.32111		21A.080.32112	
100	21A.100.32111		21A.100.32112	
125	21A.125.32111		21A.125.32112	
150	21A.150.32111		21A.150.32112	
200	21A.200.32111		21A.200.32112	
250	21A.250.32111		21A.250.32112	
300	21A.300.32111		21A.300.32112	

**BODY:**  
Stainless steel CF8M

**DISC:**  
Stainless steel CF8M

**SEAT:**  
PTFE

**SHAFT:**  
Stainless steel AISI 420

**FACE TO FACE DISTANCE:**  
EN 558-1 series 20

**CUERPO:**  
Acero inox. CF8M

**DISCO:**  
Acero inox. CF8M

**ASIENTO:**  
PTFE

**EJE:**  
Acero inox. AISI 420

**DISTANCIA ENTRE CARAS:**  
EN 558-1 serie 20



**WAFER CONCENTRIC VALVE**  
EJE CENTRADO WAFER

DN	HAND LEVER PALANCA	PN 10/16 ANSI 150#	GEARBOX REDUCTOR	PN 10/16 ANSI 150#
40	21A.040.32151		21A.040.32152	
50	21A.050.32151		21A.050.32152	
65	21A.065.32151		21A.065.32152	
80	21A.080.32151		21A.080.32152	
100	21A.100.32151		21A.100.32152	
125	21A.125.32151		21A.125.32152	
150	21A.150.32151		21A.150.32152	
200	21A.200.32151		21A.200.32152	
250	21A.250.32151		21A.250.32152	
300	21A.300.32151		21A.300.32152	



**BODY:**  
Ductile iron GJS-400-15

**DISC:**  
Stainless steel CF8M

**SEAT:**  
PTFE

**SHAFT:**  
Stainless steel AISI 420

**FACE TO FACE DISTANCE:**  
EN 558-1 series 20

**EPOXY PAINT:**  
250 µm

**CUERPO:**  
Fundición dúctil GJS-400-15

**DISCO:**  
Acero inox. CF8M

**ASIENTO:**  
PTFE

**EJE:**  
Acero inox. AISI 420

**DISTANCIA ENTRE CARAS:**  
EN 558-1 serie 20

**PINTURA EPOXI:**  
250 µm



**WAFER CONCENTRIC VALVE**  
EJE CENTRADO WAFER

DN	HAND LEVER PALANCA	PN 10/16 ANSI 150#	GEARBOX REDUCTOR	PN 10/16 ANSI 150#
40	21A.040.12151		21A.040.12152	
50	21A.050.12151		21A.050.12152	
65	21A.065.12151		21A.065.12152	
80	21A.080.12151		21A.080.12152	
100	21A.100.12151		21A.100.12152	
125	21A.125.12151		21A.125.12152	
150	21A.150.12151		21A.150.12152	
200	21A.200.12151		21A.200.12152	
250	21A.250.12151		21A.250.12152	
300	21A.300.12151		21A.300.12152	
350	—		21A,350,12152	
400	—		21A,400,12152	
450	—		21A,450,12152	
500	—		21A,500,12152	
600	—		21A,600,12152	

20 - SERIES | BUTTERFLY VALVES • VÁLVULAS DE MARIPOSA

**BODY:**  
Ductile iron GJS-400-15

**DISC:**  
Ductile iron GJS-400-15

**SEAT:**  
EPDM

**SHAFT:**  
Stainless steel AISI 420

**FACE TO FACE DISTANCE:**  
EN 558-1 series 20

**EPOXY PAINT:**  
250 µm

**CUERPO:**  
Fundición dúctil GJS-400-15

**DISCO:**  
Fundición dúctil GJS-400-15

**ASIENTO:**  
EPDM

**EJE:**  
Acero inox. AISI 420

**DISTANCIA ENTRE CARAS:**  
EN 558-1 serie 20

**PINTURA EPOXI:**  
250 µm



**LUG CONCENTRIC VALVE**  
EJE CENTRADO LUG

DN	LEVER PALANCA	PN 10	GEAR BOX REDUCTOR	PN 10	LEVER PALANCA	PN 16	GEAR BOX REDUCTOR	PN 16
40	22A.040.11111		22A.040.11112		22A.040.11111		22A.040.11112	
50	22A.050.11111		22A.050.11112		22A.050.11111		22A.050.11112	
65	22A.065.11111		22A.065.11112		22A.065.11111		22A.065.11112	
80	22A.080.11111		22A.080.11112		22A.080.11111		22A.080.11112	
100	22A.100.11111		22A.100.11112		22A.100.11111		22A.100.11112	
125	22A.125.11111		22A.125.11112		22A.125.11111		22A.125.11112	
150	22A.150.11111		22A.150.11112		22A.150.11111		22A.150.11112	
200	22A.200.11211		22A.200.11212		22A.200.11111		22A.200.11112	
250	22A.250.11211		22A.250.11212		22A.250.11111		22A.250.11112	
300	22A.300.11211		22A.300.11212		22A.300.11111		22A.300.11112	
350	—		22A.350.11212		—		22A.350.11112	
400	—		22A.400.11212		—		22A.400.11112	
450	—		22A.450.11212		—		22A.450.11112	
500	—		22A.500.11212		—		22A.500.11112	
600	—		22A.600.11212		—		22A.600.11112	
700	—		22A.700.11212		—		22A.700.11112	
800	—		22A.800.11212		—		22A.800.11112	
900	—		22A.900.11212		—		22A.900.11112	
1.000	—		22A.1000.11212		—		22A.1000.11112	
1.200	—		22A.1200.11212		—		22A.1200.11112	

• Check availability for NBR, Viton, Hypalon, PTFE, etc, seats.

• Consultar disponibilidad de asientos en NBR, Viton, Hypalon, PTFE, etc.



**BODY:**  
Ductile iron GJS-400-15

**DISC:**  
Stainless steel CF8M

**SEAT:**  
EPDM

**SHAFT:**  
Stainless steel AISI 420

**FACE TO FACE DISTANCE:**  
EN 558-1 series 20

**EPOXY PAINT:**  
250 µm

**CUERPO:**  
Fundición dúctil GJS-400-15

**DISCO:**  
Acero inox. CF8M

**ASIENTO:**  
EPDM

**EJE:**  
Acero inox. AISI 420

**DISTANCIA ENTRE CARAS:**  
EN 558-1 serie 20

**PINTURA EPOXI:**  
250 µm



**LUG CONCENTRIC VALVE**  
EJE CENTRADO LUG

DN	LEVER PALANCA	PN 10	GEAR BOX REDUCTOR	PN 10	LEVER PALANCA	PN 16	GEAR BOX REDUCTOR	PN 16
40	22A.040.12111		22A.040.12112		22A.040.12111		22A.040.12112	
50	22A.050.12111		22A.050.12112		22A.050.12111		22A.050.12112	
65	22A.065.12111		22A.065.12112		22A.065.12111		22A.065.12112	
80	22A.080.12111		22A.080.12112		22A.080.12111		22A.080.12112	
100	22A.100.12111		22A.100.12112		22A.100.12111		22A.100.12112	
125	22A.125.12111		22A.125.12112		22A.125.12111		22A.125.12112	
150	22A.150.12111		22A.150.12112		22A.150.12111		22A.150.12112	
200	22A.200.12211		22A.200.12212		22A.200.12111		22A.200.12112	
250	22A.250.12211		22A.250.12212		22A.250.12111		22A.250.12112	
300	22A.300.12211		22A.300.12212		22A.300.12111		22A.300.12112	
350	—		22A.350.12212		—		22A.350.12112	
400	—		22A.400.12212		—		22A.400.12112	
450	—		22A.450.12212		—		22A.450.12112	
500	—		22A.500.12212		—		22A.500.12112	
600	—		22A.600.12212		—		22A.600.12112	
700	—		22A.700.12212		—		22A.700.12112	
800	—		22A.800.12212		—		22A.800.12112	
900	—		22A.900.12212		—		22A.900.12112	
1.000	—		22A.1000.12212		—		22A.1000.12112	
1.200	—		22A.1200.12212		—		22A.1200.12112	

• Check availability for NBR, Viton, Hypalon, PTFE, etc, seats.

• Consultar disponibilidad de asientos en NBR, Viton, Hypalon, PTFE, etc.





### LUG CONCENTRIC VALVE WITH SINGLE-PHASE ELECTRIC ACTUATOR

#### EJE CENTRADO LUG CON ACTUADOR ELÉCTRICO MONOFÁSICO

DN	GJS-400-15 DISC DISCO GJS-400-15	PN 10	GJS-400-15 DISC DISCO GJS-400-15	PN 16	CF8M DISC DISCO CF8M	PN 10	CF8M DISC DISCO CF8M	PN 16
40	22A.040.11113		22A.040.11113		22A.040.12113		22A.040.12113	
50	22A.050.11113		22A.050.11113		22A.050.12113		22A.050.12113	
65	22A.065.11113		22A.065.11113		22A.065.12113		22A.065.12113	
80	22A.080.11113		22A.080.11113		22A.080.12113		22A.080.12113	
100	22A.100.11113		22A.100.11113		22A.100.12113		22A.100.12113	
125	22A.125.11113		22A.125.11113		22A.125.12113		22A.125.12113	
150	22A.150.11113		22A.150.11113		22A.150.12113		22A.150.12113	
200	22A.200.11213		22A.200.11113		22A.200.12213		22A.200.12113	
250	22A.250.11213		22A.250.11113		22A.250.12213		22A.250.12113	
300	22A.300.11213		22A.300.11113		22A.300.12213		22A.300.12113	
350	22A.350.11213		22A.350.11113		22A.350.12213		22A.350.12113	
400	22A.400.11213		22A.400.11113		22A.400.12213		22A.400.12113	
450	22A.450.11213		22A.450.11113		22A.450.12213		22A.450.12113	
500	22A.500.11213		22A.500.11113		22A.500.12213		22A.500.12113	
600	22A.600.11213		22A.600.11113		22A.600.12213		22A.600.12113	

• The single phase actuator has no security hand wheel as standard, it can be installed under request.

• El motor monofásico no lleva volante de seguridad de standard, se puede poner bajo petición.

### LUG CONCENTRIC VALVE WITH THREE-PHASE ELECTRIC ACTUATOR

#### EJE CENTRADO LUG CON ACTUADOR ELÉCTRICO TRIFÁSICO

DN	GJS-400-15 DISC DISCO GJS-400-15	PN 10	GJS-400-15 DISC DISCO GJS-400-15	PN 16	CF8M DISC DISCO CF8M	PN 10	CF8M DISC DISCO CF8M	PN 16
40	22A.040.11114		22A.040.11114		22A.040.12114		22A.040.12114	
50	22A.050.11114		22A.050.11114		22A.050.12114		22A.050.12114	
65	22A.065.11114		22A.065.11114		22A.065.12114		22A.065.12114	
80	22A.080.11114		22A.080.11114		22A.080.12114		22A.080.12114	
100	22A.100.11114		22A.100.11114		22A.100.12114		22A.100.12114	
125	22A.125.11114		22A.125.11114		22A.125.12114		22A.125.12114	
150	22A.150.11114		22A.150.11114		22A.150.12114		22A.150.12114	
200	22A.200.11214		22A.200.11114		22A.200.12214		22A.200.12114	
250	22A.250.11214		22A.250.11114		22A.250.12214		22A.250.12114	
300	22A.300.11214		22A.300.11114		22A.300.12214		22A.300.12114	
350	22A.350.11214		22A.350.11114		22A.350.12214		22A.350.12114	
400	22A.400.11214		22A.400.11114		22A.400.12214		22A.400.12114	
450	22A.450.11214		22A.450.11114		22A.450.12214		22A.450.12114	
500	22A.500.11214		22A.500.11114		22A.500.12214		22A.500.12114	
600	22A.600.11214		22A.600.11114		22A.600.12214		22A.600.12114	





### LUG CONCENTRIC VALVE WITH DOUBLE EFFECT PNEUMATIC ACTUATOR

#### EJE CENTRADO LUG CON ACTUADOR NEUMÁTICO DOBLE EFECTO

DN	GJS-400-15 DISC DISCO GJS-400-15	PN 10	GJS-400-15 DISC DISCO GJS-400-15	PN 16	CF8M DISC DISCO CF8M	PN 10	CF8M DISC DISCO CF8M	PN 16
40	22A.040.11115		22A.040.11115		22A.040.12115		22A.040.12115	
50	22A.050.11115		22A.050.11115		22A.050.12115		22A.050.12115	
65	22A.065.11115		22A.065.11115		22A.065.12115		22A.065.12115	
80	22A.080.11115		22A.080.11115		22A.080.12115		22A.080.12115	
100	22A.100.11115		22A.100.11115		22A.100.12115		22A.100.12115	
125	22A.125.11115		22A.125.11115		22A.125.12115		22A.125.12115	
150	22A.150.11115		22A.150.11115		22A.150.12115		22A.150.12115	
200	22A.200.11215		22A.200.11115		22A.200.12215		22A.200.12115	
250	22A.250.11215		22A.250.11115		22A.250.12215		22A.250.12115	
300	22A.300.11215		22A.300.11115		22A.300.12215		22A.300.12115	
350	22A.350.11215		22A.350.11115		22A.350.12215		22A.350.12115	
400	22A.400.11215		22A.400.11115		22A.400.12215		22A.400.12115	
450	22A.450.11215		22A.450.11115		22A.450.12215		22A.450.12115	
500	22A.500.11215		22A.500.11115		22A.500.12215		22A.500.12115	
600	22A.600.11215		22A.600.11115		22A.600.12215		22A.600.12115	

• Refer to page 50 to check the different options available for pneumatic actuators.

• Para ver las opciones disponibles para actuadores neumáticos consultar página 50.



### LUG CONCENTRIC VALVE WITH SINGLE EFFECT PNEUMATIC ACTUATOR

#### EJE CENTRADO LUG CON ACTUADOR NEUMÁTICO SIMPLE EFECTO

DN	GJS-400-15 DISC DISCO GJS-400-15	PN 10	GJS-400-15 DISC DISCO GJS-400-15	PN 16	CF8M DISC DISCO CF8M	PN 10	CF8M DISC DISCO CF8M	PN 16
40	22A.040.11116		22A.040.11116		22A.040.12116		22A.040.12116	
50	22A.050.11116		22A.050.11116		22A.050.12116		22A.050.12116	
65	22A.065.11116		22A.065.11116		22A.065.12116		22A.065.12116	
80	22A.080.11116		22A.080.11116		22A.080.12116		22A.080.12116	
100	22A.100.11116		22A.100.11116		22A.100.12116		22A.100.12116	
125	22A.125.11116		22A.125.11116		22A.125.12116		22A.125.12116	
150	22A.150.11116		22A.150.11116		22A.150.12116		22A.150.12116	
200	22A.200.11216		22A.200.11116		22A.200.12216		22A.200.12116	
250	22A.250.11216		22A.250.11116		22A.250.12216		22A.250.12116	
300	22A.300.11216		22A.300.11116		22A.300.12216		22A.300.12116	
350	22A.350.11216		22A.350.11116		22A.350.12216		22A.350.12116	
400	22A.400.11216		22A.400.11116		22A.400.12216		22A.400.12116	
450	22A.450.11216		22A.450.11116		22A.450.12216		22A.450.12116	
500	22A.500.11216		22A.500.11116		22A.500.12216		22A.500.12116	
600	22A.600.11216		22A.600.11116		22A.600.12216		22A.600.12116	

• Refer to page 50 to check the different options available for pneumatic actuators.

• Para ver las opciones disponibles para actuadores neumáticos consultar página 50.

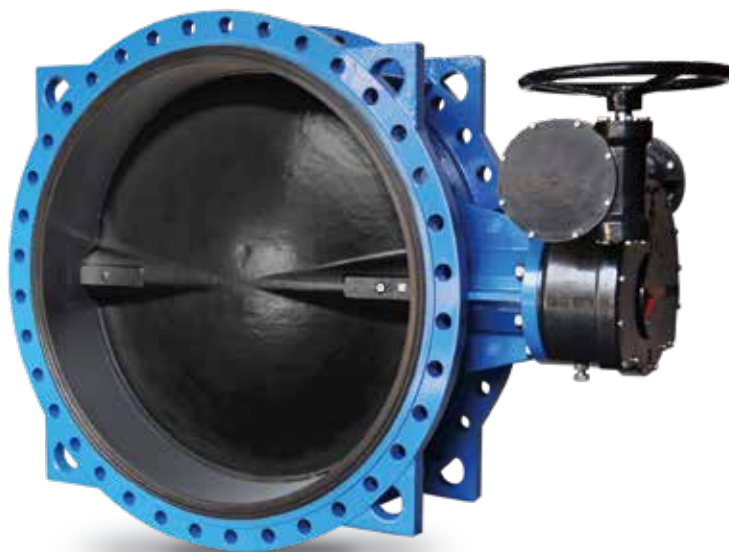


20 - SERIES | BUTTERFLY VALVES • VÁLVULAS DE MARIPOSA



<b>BODY:</b> Ductile iron GJS-400-15
<b>DISC:</b> Ductile iron GJS-400-15
<b>SEAT:</b> EPDM vulcanized
<b>SHAFT:</b> Stainless steel AISI 420
<b>BUSHES:</b> Bronze
<b>FACE TO FACE DISTANCE:</b> EN 558-1 series 13
<b>EPOXY PAINT:</b> 250 µm

<b>CUERPO:</b> Fundición dúctil GJS-400-15
<b>DISCO:</b> Fundición dúctil GJS-400-15
<b>ASIENTO:</b> EPDM vulcanizado
<b>EJE:</b> Acero inox. AISI 420
<b>COJINETES:</b> Bronze
<b>DISTANCIA ENTRE CARAS:</b> EN 558-1 serie 13
<b>PINTURA EPOXI:</b> 250 µm



**CONCENTRIC VALVE DOUBLE FLANGE**  
EJE CENTRADO DOBLE BRIDA

DN	LEVER PALANCA	PN 10	GEAR BOX REDUCTOR	PN 10	LEVER PALANCA	PN 16	GEAR BOX REDUCTOR	PN 16
50	23D.050.11111		23D.050.11112		23D.050.11111		23D.050.11112	
65	23D.065.11111		23D.065.11112		23D.065.11111		23D.065.11112	
80	23D.080.11111		23D.080.11112		23D.080.11111		23D.080.11112	
100	23D.100.11111		23D.100.11112		23D.100.11111		23D.100.11112	
125	23D.125.11111		23D.125.11112		23D.125.11111		23D.125.11112	
150	23D.150.11111		23D.150.11112		23D.150.11111		23D.150.11112	
200	23D.200.11211		23D.200.11212		23D.200.11111		23D.200.11112	
250	23D.250.11211		23D.250.11212		23D.250.11111		23D.250.11112	
300	23D.300.11211		23D.300.11212		23D.300.11111		23D.300.11112	
350	—		23D.350.11212		—		23D.350.11112	
400	—		23D.400.11212		—		23D.400.11112	
450	—		23D.450.11212		—		23D.450.11112	
500	—		23D.500.11212		—		23D.500.11112	
600	—		23D.600.11212		—		23D.600.11112	
700	—		23D.700.11212		—		23D.700.11112	
800	—		23D.800.11212		—		23D.800.11112	
900	—		23D.900.11212		—		23D.900.11112	
1.000	—		23D.1000.11212		—		23D.1000.11112	
1.200	—		23D.1200.11212		—		23D.1200.11112	
1.400	—		23D.1400.11212		—		23D.1400.11112	
1.600	—		23D.1600.11212		—		23D.1600.11112	
1.800	—		23D.1800.11212		—		23D.1800.11112	
2.000	—		23D.2000.11212		—		23D.2000.11112	
2.200	—		23D.2200.11212		—		—	





<b>BODY:</b> Ductile iron GJS-400-15
<b>DISC:</b> Stainless steel CF8M
<b>SEAT:</b> EPDM vulcanized
<b>SHAFT:</b> Stainless steel AISI 420
<b>BUSHES:</b> Bronze
<b>FACE TO FACE DISTANCE:</b> EN 558-1 series 13
<b>EPOXY PAINT:</b> 250 µm

<b>CUERPO:</b> Fundición dúctil GJS-400-15
<b>DISCO:</b> Acero inox. CF8M
<b>ASIENTO:</b> EPDM vulcanizado
<b>EJE:</b> Acero inox. AISI 420
<b>COJINETES:</b> Bronze
<b>DISTANCIA ENTRE CARAS:</b> EN 558-1 serie 13
<b>PINTURA EPOXI:</b> 250 µm



**CONCENTRIC VALVE DOUBLE FLANGE**  
EJE CENTRADO DOBLE BRIDA

DN	LEVER PALANCA	PN 10	GEAR BOX REDUCTOR	PN 10	LEVER PALANCA	PN 16	GEAR BOX REDUCTOR	PN 16
50	23D.050.12111		23D.050.12112		23D.050.12111		23D.050.12112	
65	23D.065.12111		23D.065.12112		23D.065.12111		23D.065.12112	
80	23D.080.12111		23D.080.12112		23D.080.12111		23D.080.12112	
100	23D.100.12111		23D.100.12112		23D.100.12111		23D.100.12112	
125	23D.125.12111		23D.125.12112		23D.125.12111		23D.125.12112	
150	23D.150.12111		23D.150.12112		23D.150.12111		23D.150.12112	
200	23D.200.12211		23D.200.12212		23D.200.12111		23D.200.12112	
250	23D.250.12211		23D.250.12212		23D.250.12111		23D.250.12112	
300	23D.300.12211		23D.300.12212		23D.300.12111		23D.300.12112	
350	—		23D.350.12212		—		23D.350.12112	
400	—		23D.400.12212		—		23D.400.12112	
450	—		23D.450.12212		—		23D.450.12112	
500	—		23D.500.12212		—		23D.500.12112	
600	—		23D.600.12212		—		23D.600.12112	
700	—		23D.700.12212		—		23D.700.12112	
800	—		23D.800.12212		—		23D.800.12112	
900	—		23D.900.12212		—		23D.900.12112	
1.000	—		23D.1000.12212		—		23D.1000.12112	
1.200	—		23D.1200.12212		—		23D.1200.12112	
1.400	—		23D.1400.12212		—		23D.1400.12112	
1.600	—		23D.1600.12212		—		23D.1600.12112	
1.800	—		23D.1800.12212		—		23D.1800.12112	
2.000	—		23D.2000.12212		—		23D.2000.12112	
2.200	—		23D.2200.12212		—		—	



**CONCENTRIC VALVE DOUBLE FLANGE WITH DOUBLE EFFECT PNEUMATIC ACTUATOR**  
**EJE CENTRADO DOBLE BRIDA CON ACTUADOR NEUMÁTICO DOBLE EFECTO**

DN	GJS-400-15 DISC DISCO GJS-400-15	PN 10	GJS-400-15 DISC DISCO GJS-400-15	PN 16	CF8M DISC DISCO CF8M	PN 10	CF8M DISC DISCO CF8M	PN 16
50	23D.050.11115		23D.050.11115		23D.050.12115		23D.050.12115	
65	23D.065.11115		23D.065.11115		23D.065.12115		23D.065.12115	
80	23D.080.11115		23D.080.11115		23D.080.12115		23D.080.12115	
100	23D.100.11115		23D.100.11115		23D.100.12115		23D.100.12115	
125	23D.125.11115		23D.125.11115		23D.125.12115		23D.125.12115	
150	23D.150.11115		23D.150.11115		23D.150.12115		23D.150.12115	
200	23D.200.11215		23D.200.11115		23D.200.12215		23D.200.12115	
250	23D.250.11215		23D.250.11115		23D.250.12215		23D.250.12115	
300	23D.300.11215		23D.300.11115		23D.300.12215		23D.300.12115	
350	23D.350.11215		23D.350.11115		23D.350.12215		23D.350.12115	
400	23D.400.11215		23D.400.11115		23D.400.12215		23D.400.12115	
450	23D.450.11215		23D.450.11115		23D.450.12215		23D.450.12115	
500	23D.500.11215		23D.500.11115		23D.500.12215		23D.500.12115	
600	23D.600.11215		23D.600.11115		23D.600.12215		23D.600.12115	

• Refer to page 50 to check the different options available for pneumatic actuators.

• Para ver las opciones disponibles para actuadores neumáticos consultar página 50.

**CONCENTRIC VALVE DOUBLE FLANGE WITH SINGLE EFFECT PNEUMATIC ACTUATOR**  
**EJE CENTRADO DOBLE BRIDA CON ACTUADOR NEUMÁTICO SIMPLE EFECTO**

DN	GJS-400-15 DISC DISCO GJS-400-15	PN 10	GJS-400-15 DISC DISCO GJS-400-15	PN 16	CF8M DISC DISCO CF8M	PN 10	CF8M DISC DISCO CF8M	PN 16
50	23D.050.11116		23D.050.11116		23D.050.12116		23D.050.12116	
65	23D.065.11116		23D.065.11116		23D.065.12116		23D.065.12116	
80	23D.080.11116		23D.080.11116		23D.080.12116		23D.080.12116	
100	23D.100.11116		23D.100.11116		23D.100.12116		23D.100.12116	
125	23D.125.11116		23D.125.11116		23D.125.12116		23D.125.12116	
150	23D.150.11116		23D.150.11116		23D.150.12116		23D.150.12116	
200	23D.200.11216		23D.200.11116		23D.200.12216		23D.200.12116	
250	23D.250.11216		23D.250.11116		23D.250.12216		23D.250.12116	
300	23D.300.11216		23D.300.11116		23D.300.12216		23D.300.12116	
350	23D.350.11216		23D.350.11116		23D.350.12216		23D.350.12116	
400	23D.400.11216		23D.400.11116		23D.400.12216		23D.400.12116	
450	23D.450.11216		23D.450.11116		23D.450.12216		23D.450.12116	
500	23D.500.11216		23D.500.11116		23D.500.12216		23D.500.12116	
600	23D.600.11216		23D.600.11116		23D.600.12216		23D.600.12116	

• Refer to page 50 to check the different options available for pneumatic actuators.

• Para ver las opciones disponibles para actuadores neumáticos consultar página 50.





### CONCENTRIC VALVE DOUBLE FLANGE WITH SINGLE-PHASE ELECTRIC ACTUATOR

#### EJE CENTRADO DOBLE BRIDA CON ACTUADOR ELÉCTRICO MONOFÁSICO

DN	GJS-400-15 DISC DISCO GJS-400-15	PN 10	GJS-400-15 DISC DISCO GJS-400-15	PN 16	CF8M DISC DISCO CF8M	PN 10	CF8M DISC DISCO CF8M	PN 16
50	23D.050.11113		23D.050.11113		23D.050.12113		23D.050.12113	
65	23D.065.11113		23D.065.11113		23D.065.12113		23D.065.12113	
80	23D.080.11113		23D.080.11113		23D.080.12113		23D.080.12113	
100	23D.100.11113		23D.100.11113		23D.100.12113		23D.100.12113	
125	23D.125.11113		23D.125.11113		23D.125.12113		23D.125.12113	
150	23D.150.11113		23D.150.11113		23D.150.12113		23D.150.12113	
200	23D.200.11213		23D.200.11113		23D.200.12213		23D.200.12113	
250	23D.250.11213		23D.250.11113		23D.250.12213		23D.250.12113	
300	23D.300.11213		23D.300.11113		23D.300.12213		23D.300.12113	
350	23D.350.11213		23D.350.11113		23D.350.12213		23D.350.12113	
400	23D.400.11213		23D.400.11113		23D.400.12213		23D.400.12113	
450	23D.450.11213		23D.450.11113		23D.450.12213		23D.450.12113	
500	23D.500.11213		23D.500.11113		23D.500.12213		23D.500.12113	
600	—		—		—		—	

• These actuators have no security hand wheel as standard, it can be installed under request.

• Este motor no lleva volante de seguridad de standard, se puede poner bajo petición.

### CONCENTRIC VALVE DOUBLE FLANGE WITH THREE-PHASE ELECTRIC ACTUATOR

#### EJE CENTRADO DOBLE BRIDA CON ACTUADOR ELÉCTRICO TRIFÁSICO

DN	GJS-400-15 DISC DISCO GJS-400-15	PN 10	GJS-400-15 DISC DISCO GJS-400-15	PN 16	CF8M DISC DISCO CF8M	PN 10	CF8M DISC DISCO CF8M	PN 16
50	23D.050.11114		23D.050.11114		23D.050.12114		23D.050.12114	
65	23D.065.11114		23D.065.11114		23D.065.12114		23D.065.12114	
80	23D.080.11114		23D.080.11114		23D.080.12114		23D.080.12114	
100	23D.100.11114		23D.100.11114		23D.100.12114		23D.100.12114	
125	23D.125.11114		23D.125.11114		23D.125.12114		23D.125.12114	
150	23D.150.11114		23D.150.11114		23D.150.12114		23D.150.12114	
200	23D.200.11214		23D.200.11114		23D.200.12214		23D.200.12114	
250	23D.250.11214		23D.250.11114		23D.250.12214		23D.250.12114	
300	23D.300.11214		23D.300.11114		23D.300.12214		23D.300.12114	
350	23D.350.11214		23D.350.11114		23D.350.12214		23D.350.12114	
400	23D.400.11214		23D.400.11114		23D.400.12214		23D.400.12114	
450	23D.450.11214		23D.450.11114		23D.450.12214		23D.450.12114	
500	23D.500.11214		23D.500.11114		23D.500.12214		23D.500.12114	
600	23D.600.11214		23D.600.11114		23D.600.12214		23D.600.12114	
700	23D.700.11214		23D.700.11114		23D.700.12214		23D.700.12114	
800	23D.800.11214		23D.800.11114		23D.800.12214		23D.800.12114	
900	23D.900.11214		23D.900.11114		23D.900.12214		23D.900.12114	
1.000	23D.1000.11214		23D.1000.11114		23D.1000.12214		23D.1000.12114	
1.200	23D.1200.11214		23D.1200.11114		23D.1200.12214		23D.1200.12114	
1.400	23D.1400.11214		23D.1400.11114		23D.1400.12214		23D.1400.12114	
1.600	23D.1600.11214		23D.1600.11114		23D.1600.12214		23D.1600.12114	
1.800	23D.1800.11214		23D.1800.11114		23D.1800.12214		23D.1800.12114	
2.000	23D.2000.11214		23D.2000.11114		23D.2000.12214		23D.2000.12114	
2.200	23D.2200.11214		23D.2200.11114		—		—	

20 - SERIES | BUTTERFLY VALVES • VÁLVULAS DE MARIPOSA



**BODY:**  
Ductile iron GJS-400-15

**DISC:**  
Ductile iron GJS-400-15

**SEAT:**  
EPDM

**SHAFT:**  
Stainless steel AISI 420

**BUSHES:**  
Bronze

**FACE TO FACE DISTANCE:**  
EN 558-1 series 20

**EPOXY PAINT:**  
250 µm

**CUERPO:**  
Fundición dúctil GJS-400-15

**DISCO:**  
Fundición dúctil GJS-400-15

**ASIENTO:**  
EPDM

**EJE:**  
Acero inox. AISI 420

**COJINETES:**  
Bronze

**DISTANCIA ENTRE CARAS:**  
EN 558-1 serie 20

**PINTURA EPOXI:**  
250 µm



**CONCENTRIC VALVE DOUBLE FLANGE**  
EJE CENTRADO DOBLE BRIDA

DN	LEVER PALANCA	PN 10	GEAR BOX REDUCTOR	PN 10	LEVER PALANCA	PN 16	GEAR BOX REDUCTOR	PN 16
50	27D.050.11111		27D.050.11112		27D.050.11111		27D.050.11112	
65	27D.065.11111		27D.065.11112		27D.065.11111		27D.065.11112	
80	27D.080.11111		27D.080.11112		27D.080.11111		27D.080.11112	
100	27D.100.11111		27D.100.11112		27D.100.11111		27D.100.11112	
125	27D.125.11111		27D.125.11112		27D.125.11111		27D.125.11112	
150	27D.150.11111		27D.150.11112		27D.150.11111		27D.150.11112	
200	27D.200.11211		27D.200.11212		27D.200.11111		27D.200.11112	
250	27D.250.11211		27D.250.11212		27D.250.11111		27D.250.11112	
300	27D.300.11211		27D.300.11212		27D.300.11111		27D.300.11112	
350	—		27D.350.11212		—		27D.350.11112	
400	—		27D.400.11212		—		27D.400.11112	
450	—		27D.450.11212		—		27D.450.11112	
500	—		27D.500.11212		—		27D.500.11112	
600	—		27D.600.11212		—		27D.600.11112	
700	—		27D.700.11212		—		27D.700.11112	
800	—		27D.800.11212		—		27D.800.11112	
900	—		27D.900.11212		—		27D.900.11112	
1.000	—		27D.1000.11212		—		27D.1000.11112	
1.200	—		27D.1200.11212		—		27D.1200.11112	

AVAILABLE  
UNDER REQUEST  
DISPONIBLE  
BAJO PEDIDO



<b>BODY:</b> Ductile iron GJS-400-15
<b>DISC:</b> CF8M
<b>SEAT:</b> EPDM
<b>SHAFT:</b> Stainless steel AISI 420
<b>BUSHES:</b> Bronze
<b>FACE TO FACE DISTANCE:</b> EN 558-1 series 20
<b>EPOXY PAINT:</b> 250 µm

<b>CUERPO:</b> Fundición dúctil GJS-400-15
<b>DISCO:</b> CF8M
<b>ASIENTO:</b> EPDM
<b>EJE:</b> Acero inox. AISI 420
<b>COJINETES:</b> Bronze
<b>DISTANCIA ENTRE CARAS:</b> EN 558-1 serie 20
<b>PINTURA EPOXI:</b> 250 µm



**CONCENTRIC VALVE DOUBLE FLANGE**  
EJE CENTRADO DOBLE BRIDA

DN	LEVER PALANCA	PN 10	GEAR BOX REDUCTOR	PN 10	LEVER PALANCA	PN 16	GEAR BOX REDUCTOR	PN 16
50	27D.050.12111		27D.050.12112		27D.050.12111		27D.050.12112	
65	27D.065.12111		27D.065.12112		27D.065.12111		27D.065.12112	
80	27D.080.12111		27D.080.12112		27D.080.12111		27D.080.12112	
100	27D.100.12111		27D.100.12112		27D.100.12111		27D.100.12112	
125	27D.125.12111		27D.125.12112		27D.125.12111		27D.125.12112	
150	27D.150.12111		27D.150.12112		27D.150.12111		27D.150.12112	
200	27D.200.12211		27D.200.12212		27D.200.12111		27D.200.12112	
250	27D.250.12211		27D.250.12212		27D.250.12111		27D.250.12112	
300	27D.300.12211		27D.300.12212		27D.300.12111		27D.300.12112	
350	—		27D.350.12212		—		27D.350.12112	
400	—		27D.400.12212		—		27D.400.12112	
450	—		27D.450.12212		—		27D.450.12112	
500	—		27D.500.12212		—		27D.500.12112	
600	—		27D.600.12212		—		27D.600.12112	
700	—		27D.700.12212		—		27D.700.12112	
800	—		27D.800.12212		—		27D.800.12112	
900	—		27D.900.12212		—		27D.900.12112	
1.000	—		27D.1000.12212		—		27D.1000.12112	
1.200	—		27D.1200.12212		—		27D.1200.12112	

AVAILABLE  
UNDER REQUEST  
DISPONIBLE  
BAJO PEDIDO





### CONCENTRIC VALVE DOUBLE FLANGE WITH SINGLE-PHASE ELECTRIC ACTUATOR EJE CENTRADO DOBLE BRIDA CON ACTUADOR ELÉCTRICO MONOFÁSICO

DN	GJS-400-15 DISC DISCO GJS-400-15	PN 10	GJS-400-15 DISC DISCO GJS-400-15	PN 16	CF8M DISC DISCO CF8M	PN 10	CF8M DISC DISCO CF8M	PN 16
50	27D.050.11113		27D.050.11113		27D.050.12113		27D.050.12113	
65	27D.065.11113		27D.065.11113		27D.065.12113		27D.065.12113	
80	27D.080.11113		27D.080.11113		27D.080.12113		27D.080.12113	
100	27D.100.11113		27D.100.11113		27D.100.12113		27D.100.12113	
125	27D.125.11113		27D.125.11113		27D.125.12113		27D.125.12113	
150	27D.150.11113		27D.150.11113		27D.150.12113		27D.150.12113	
200	27D.200.11213		27D.200.11113		27D.200.12213		27D.200.12113	
250	27D.250.11213		27D.250.11113		27D.250.12213		27D.250.12113	
300	27D.300.11213		27D.300.11113		27D.300.12213		27D.300.12113	
350	27D.350.11213		27D.350.11113		27D.350.12213		27D.350.12113	
400	27D.400.11213		27D.400.11113		27D.400.12213		27D.400.12113	
450	27D.450.11213		27D.450.11113		27D.450.12213		27D.450.12113	
500	27D.500.11213		27D.500.11113		27D.500.12213		27D.500.12113	
600	27D.600.11213		27D.600.11113		27D.600.12213		27D.600.12113	

• These actuators have no security hand wheel as standard, it can be installed under request.

• Este motor no lleva volante de seguridad de standard, se puede poner bajo petición.



### CONCENTRIC VALVE DOUBLE FLANGE WITH THREE-PHASE ELECTRIC ACTUATOR EJE CENTRADO DOBLE BRIDA CON ACTUADOR ELÉCTRICO TRIFÁSICO

DN	GJS-400-15 DISC DISCO GJS-400-15	PN 10	GJS-400-15 DISC DISCO GJS-400-15	PN 16	CF8M DISC DISCO CF8M	PN 10	CF8M DISC DISCO CF8M	PN 16
50	27D.050.11114		27D.050.11114		27D.050.12114		27D.050.12114	
65	27D.065.11114		27D.065.11114		27D.065.12114		27D.065.12114	
80	27D.080.11114		27D.080.11114		27D.080.12114		27D.080.12114	
100	27D.100.11114		27D.100.11114		27D.100.12114		27D.100.12114	
125	27D.125.11114		27D.125.11114		27D.125.12114		27D.125.12114	
150	27D.150.11114		27D.150.11114		27D.150.12114		27D.150.12114	
200	27D.200.11214		27D.200.11114		27D.200.12214		27D.200.12114	
250	27D.250.11214		27D.250.11114		27D.250.12214		27D.250.12114	
300	27D.300.11214		27D.300.11114		27D.300.12214		27D.300.12114	
350	27D.350.11214		27D.350.11114		27D.350.12214		27D.350.12114	
400	27D.400.11214		27D.400.11114		27D.400.12214		27D.400.12114	
450	27D.450.11214		27D.450.11114		27D.450.12214		27D.450.12114	
500	27D.500.11214		27D.500.11114		27D.500.12214		27D.500.12114	
600	27D.600.11214		27D.600.11114		27D.600.12214		27D.600.12114	
700	27D.700.11214		27D.700.11114		27D.700.12214		27D.700.12114	
800	27D.800.11214		27D.800.11114		27D.800.12214		27D.800.12114	
900	27D.900.11214		27D.900.11114		27D.900.12214		27D.900.12114	
1.000	27D.1000.11214		27D.1000.11114		27D.1000.12214		27D.1000.12114	
1.200	27D.1200.11214		27D.1200.11114		27D.1200.12214		27D.1200.12114	





### CONCENTRIC VALVE DOUBLE FLANGE WITH DOUBLE EFFECT PNEUMATIC ACTUATOR EJE CENTRADO DOBLE BRIDA CON ACTUADOR NEUMÁTICO DOBLE EFECTO

DN	GJS-400-15 DISC DISCO GJS-400-15	PN 10	GJS-400-15 DISC DISCO GJS-400-15	PN 16	CF8M DISC DISCO CF8M	PN 10	CF8M DISC DISCO CF8M	PN 16
50	27D.050.11115		27D.050.11115		27D.050.12115		27D.050.12115	
65	27D.065.11115		27D.065.11115		27D.065.12115		27D.065.12115	
80	27D.080.11115		27D.080.11115		27D.080.12115		27D.080.12115	
100	27D.100.11115		27D.100.11115		27D.100.12115		27D.100.12115	
125	27D.125.11115		27D.125.11115		27D.125.12115		27D.125.12115	
150	27D.150.11115		27D.150.11115		27D.150.12115		27D.150.12115	
200	27D.200.11215		27D.200.11115		27D.200.12215		27D.200.12115	
250	27D.250.11215		27D.250.11115		27D.250.12215		27D.250.12115	
300	27D.300.11215		27D.300.11115		27D.300.12215		27D.300.12115	
350	27D.350.11215		27D.350.11115		27D.350.12215		27D.350.12115	
400	27D.400.11215		27D.400.11115		27D.400.12215		27D.400.12115	
450	27D.450.11215		27D.450.11115		27D.450.12215		27D.450.12115	
500	27D.500.11215		27D.500.11115		27D.500.12215		27D.500.12115	
600	27D.600.11215		27D.600.11115		27D.600.12215		27D.600.12115	

• Refer to page 50 to check the different options available for pneumatic actuators.

• Para ver las opciones disponibles para actuadores neumáticos consultar página 50.

AVAILABLE  
UNDER REQUEST  
DISPONIBLE  
BAJO PEDIDO

### CONCENTRIC VALVE DOUBLE FLANGE WITH SINGLE EFFECT PNEUMATIC ACTUATOR EJE CENTRADO DOBLE BRIDA CON ACTUADOR NEUMÁTICO SIMPLE EFECTO

DN	GJS-400-15 DISC DISCO GJS-400-15	PN 10	GJS-400-15 DISC DISCO GJS-400-15	PN 16	CF8M DISC DISCO CF8M	PN 10	CF8M DISC DISCO CF8M	PN 16
50	27D.050.11116		27D.050.11116		27D.050.12116		27D.050.12116	
65	27D.065.11116		27D.065.11116		27D.065.12116		27D.065.12116	
80	27D.080.11116		27D.080.11116		27D.080.12116		27D.080.12116	
100	27D.100.11116		27D.100.11116		27D.100.12116		27D.100.12116	
125	27D.125.11116		27D.125.11116		27D.125.12116		27D.125.12116	
150	27D.150.11116		27D.150.11116		27D.150.12116		27D.150.12116	
200	27D.200.11216		27D.200.11116		27D.200.12216		27D.200.12116	
250	27D.250.11216		27D.250.11116		27D.250.12216		27D.250.12116	
300	27D.300.11216		27D.300.11116		27D.300.12216		27D.300.12116	
350	27D.350.11216		27D.350.11116		27D.350.12216		27D.350.12116	
400	27D.400.11216		27D.400.11116		27D.400.12216		27D.400.12116	
450	27D.450.11216		27D.450.11116		27D.450.12216		27D.450.12116	
500	27D.500.11216		27D.500.11116		27D.500.12216		27D.500.12116	
600	27D.600.11216		27D.600.11116		27D.600.12216		27D.600.12116	

• Refer to page 50 to check the different options available for pneumatic actuators.

• Para ver las opciones disponibles para actuadores neumáticos consultar página 50.

AVAILABLE  
UNDER REQUEST  
DISPONIBLE  
BAJO PEDIDO

20 - SERIES | BUTTERFLY VALVES • VÁLVULAS DE MARIPOSA



**BODY:**  
Ductile iron GJS-400-15

**DISC:**  
Ductile iron GJS-400-15

**SEAT:**  
S. Steel AISI 316 + NBR

**SHAFT:**  
Stainless steel AISI 420

**BUSHES:**  
Bronze

**FACE TO FACE DISTANCE:**  
EN 558-1 series 14

**EPOXY PAINT:**  
250 µm

**CUERPO:**  
Fundición dúctil GJS-400-15

**DISCO:**  
Fundición dúctil GJS-400-15

**ASIENTO:**  
Acero inox. AISI 316 + NBR

**EJE:**  
Acero inox. AISI 420

**COJINETES:**  
Bronze

**DISTANCIA ENTRE CARAS:**  
EN 558-1 serie 14

**PINTURA EPOXI:**  
250 µm



**DOUBLE ECCENTRIC**  
**BIEXCÉNTRICA**

DN	GEAR BOX REDUCTOR	PN 10	GEAR BOX REDUCTOR	PN 16	GEAR BOX REDUCTOR	PN 25	GEAR BOX REDUCTOR	PN 40
100	24D.100.11212		24D.100.11112		24D.100.11312		—	
125	24D.125.11212		24D.125.11112		24D.125.11312		—	
150	24D.150.11212		24D.150.11112		24D.150.11312		—	
200	24D.200.11212		24D.200.11112		24D.200.11312	24A.200.11412		
250	24D.250.11212		24D.250.11112		24D.250.11312	24A.250.11412		
300	24D.300.11212		24D.300.11112		24D.300.11312	24A.300.11412		
350	24D.350.11212		24D.350.11112		24D.350.11312	24A.350.11412		
400	24D.400.11212		24D.400.11112		24D.400.11312	24A.400.11412		
450	24D.450.11212		24D.450.11112		24D.450.11312	24A.450.11412		
500	24D.500.11212		24D.500.11112		24D.500.11312	24A.500.11412		
600	24D.600.11212		24D.600.11112		24D.600.11312	24A.600.11412		
700	24D.700.11212		24D.700.11112		24D.700.11312	24A.700.11412		
800	24D.800.11212		24D.800.11112		24D.800.11312	24A.800.11412		
900	24D.900.11212		24D.900.11112		24D.900.11312	24A.900.11412		
1.000	24D.1000.11212		24D.1000.11112		24D.1000.11312	24A.1000.11412		
1.200	24D.1200.11212		24D.1200.11112		24D.1200.11312	24A.1200.11412		
1.400	24D.1400.11212		24D.1400.11112		24D.1400.11312	24A.1400.11412		
1.600	24D.1600.11212		24D.1600.11112		—	24A.1600.11412		
1.800	24D.1800.11212		24D.1800.11112		—	—		
2.000	24D.2000.11212		24D.2000.11112		—	—		

• Body and disc manufactured of cast iron GJS500 or Stainless steel CF8M available under request.

• Construcciones de cuerpo y disco en Fundición dúctil GJS-500-7 o Acero Inoxidable CF8M disponibles bajo consulta.





<b>BODY:</b> Ductile iron GJS-400-15
<b>DISC:</b> Ductile iron GJS-400-15
<b>SEAT:</b> S. Steel AISI 316 + NBR
<b>SHAFT:</b> Stainless steel AISI 420
<b>BUSHES:</b> Bronze
<b>FACE TO FACE DISTANCE:</b> EN 558-1 series 14
<b>EPOXY PAINT:</b> 250 µm

<b>CUERPO:</b> Fundición dúctil GJS-400-15
<b>DISCO:</b> Fundición dúctil GJS-400-15
<b>ASIENTO:</b> Acero inox. AISI 316 + NBR
<b>EJE:</b> Acero inox. AISI 420
<b>COJINETES:</b> Bronze
<b>DISTANCIA ENTRE CARAS:</b> EN 558-1 serie 14
<b>PINTURA EPOXI:</b> 250 µm



**DOUBLE ECCENTRIC**  
**BIEXCÉNTRICA**

DN	3-PHASE ACTUATOR ACTU. TRIFÁSICO	PN 10	3-PHASE ACTUATOR ACTU. TRIFÁSICO	PN 16	3-PHASE ACTUATOR ACTU. TRIFÁSICO	PN 25	3-PHASE ACTUATOR ACTU. TRIFÁSICO	PN 40
100	24D.100.11214		24D.100.11114		24D.100.11314		—	
125	24D.125.11214		24D.125.11114		24D.125.11314		—	
150	24D.150.11214		24D.150.11114		24D.150.11314		—	
200	24D.200.11214		24D.200.11114		24D.200.11314		24A.200.11414	
250	24D.250.11214		24D.250.11114		24D.250.11314		24A.250.11414	
300	24D.300.11214		24D.300.11114		24D.300.11314		24A.300.11414	
350	24D.350.11214		24D.350.11114		24D.350.11314		24A.350.11414	
400	24D.400.11214		24D.400.11114		24D.400.11314		24A.400.11414	
450	24D.450.11214		24D.450.11114		24D.450.11314		24A.450.11414	
500	24D.500.11214		24D.500.11114		24D.500.11314		24A.500.11414	
600	24D.600.11214		24D.600.11114		24D.600.11314		24A.600.11414	
700	24D.700.11214		24D.700.11114		24D.700.11314		24A.700.11414	
800	24D.800.11214		24D.800.11114		24D.800.11314		24A.800.11414	
900	24D.900.11214		24D.900.11114		24D.900.11314		24A.900.11414	
1.000	24D.1000.11214		24D.1000.11114		24D.1000.11314		24A.1000.11414	
1.200	24D.1200.11214		24D.1200.11114		24D.1200.11314		24A.1200.11414	
1.400	24D.1400.11214		24D.1400.11114		24D.1400.11314		24A.1400.11414	
1.600	24D.1600.11214		24D.1600.11114		—		24A.1600.11414	
1.800	24D.1800.11214		24D.1800.11114		—		—	
2.000	24D.2000.11214		24D.2000.11114		—		—	



20 - SERIES | BUTTERFLY VALVES • VÁLVULAS DE MARIPOSA

**BODY:**  
Ductile iron GJS-400-15

**DISC:**  
Ductile iron GJS-400-15 + EPDM vulcanized

**SEAT:**  
EPDM

**SHAFT:**  
Stainless steel AISI 420

**EPOXY PAINT:**  
250 µm

**CUERPO:**  
Fundición dúctil GJS-400-15

**DISCO:**  
Fundición dúctil GJS-400-15 + EPDM vulcanizado

**ASIENTO:**  
EPDM

**EJE:**  
Acero inox. AISI 420

**PINTURA EPOXI:**  
250 µm



**CONCENTRIC GROOVED VALVE**  
EJE CENTRADO RANURADA

DN	LEVER PALANCA	PN 10/16	GEARBOX REDUCTOR	PN 10/16
50	25A.050.11111		25A.050.11112	
65	25A.065.11111		25A.065.11112	
80	25A.080.11111		25A.080.11112	
100	25A.100.11111		25A.100.11112	
125	25A.125.11111		25A.125.11112	
150	25A.150.11111		25A.150.11112	
200	25A.200.11111		25A.200.11112	
250	25A.250.11111		25A.250.11112	
300	25A.300.11111		25A.300.11112	



**ECONCENTRIC GROOVED VALVE WITH ACTUATOR**  
EJE CENTRADO RANURADA CON ACTUADOR

DN	SINGLE EFFECT PNEUMATIC ACTUATOR ACTUADOR NEUMÁTICO SIMPLE EFECTO	PN 10/16	DOUBLE EFFECT PNEUMATIC ACTUATOR ACTUADOR NEUMÁTICO DOBLE EFECTO	PN 10/16	SINGLE-PHASE ELECTRIC ACTUATOR ACTUADOR ELÉCTRICO MONOFÁSICO	PN 10/16
50	25A.050.11116		25A.050.11115		25A.050.11113	
65	25A.065.11116		25A.065.11115		25A.065.11113	
80	25A.080.11116		25A.080.11115		25A.080.11113	
100	25A.100.11116		25A.100.11115		25A.100.11113	
125	25A.125.11116		25A.125.11115		25A.125.11113	
150	25A.150.11116		25A.150.11115		25A.150.11113	
200	25A.200.11116		25A.200.11115		25A.200.11113	
250	25A.250.11116		25A.250.11115		25A.250.11113	
300	25A.300.11116		25A.300.11115		25A.300.11113	

• These electric actuators have no security hand wheel as standard, it can be installed under request.

• Este motor no lleva volante de seguridad de standard, se puede poner bajo petición.

## WATER SUPPLIES

## 21A

## DESCRIPCIÓN

Válvulas de mariposa "WAFER", para abastecimiento, bombeo, abastecimiento de agua potable, tratamiento y bombeo de aguas sucias...

- Baja pérdida de carga.
- 100% estancas.
- Flujo bidireccional.
- No se necesitan juntas para su instalación.
- Tornillería en acero inoxidable.
- Temperatura de trabajo entre -10°C y 120°C.

## NORMATIVA APLICADA

- Diseño según EN 593.
- Pruebas hidráulicas según EN 12266-1, clase A.
- Directiva CE.
- Brida superior según ISO 5211.
- Distancia entre caras según EN 558-1 serie 20.

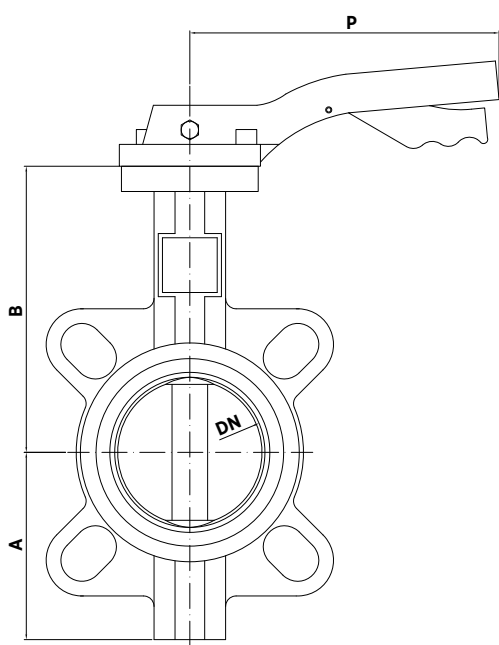
## DIRECTIVAS

- De equipos a presión:  
**(PED) ART 4.3 /CAT.1.**
- De atmósferas explosivas:  
**(ATEX) CAT.3 ZONA 2 y 22 GD.**

Para información de categorías y zonas, contactar con el departamento técnico-comercial de **CMO Valves**.



DN	Brida	Eje
40	F05	9 x 9
50	F05	9 x 9
65	F05	9 x 9
80	F05	9 x 9
100	F07	11 x 11
125	F07	14 x 14
150	F07	14 x 14
200	F07	17 x 17
250	F10	22 x 22
300	F10	22 x 22
350	F10	22 x 22
400	F16	27 x 27
450	F16	27 x 27
500	F16	27 x 27
600	F16	36 x 36

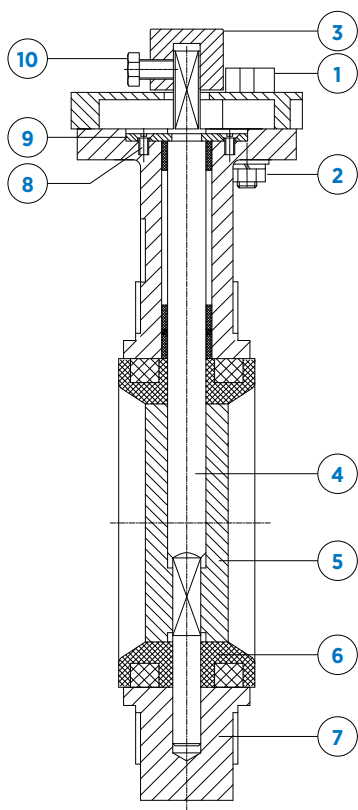


## DIMENSIONES

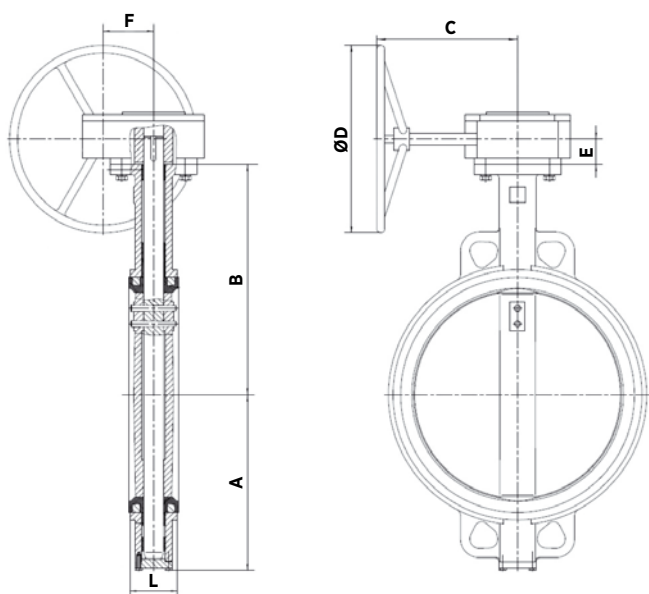
DN	A	B	P	Entre caras	Peso (kg)
40	70	124	198	33	1.9
50	76	129	198	43	2.5
65	89	136	198	46	2.9
80	95	144	198	46	3.9
100	114	162	270	52	5.2
125	127	188	270	56	7.0
150	139	204	270	56	8.4
200	177	238	270	60	12.0
250	203	282	540	68	22.0
300	242	311	540	78	29.0

VÁLVULAS MARIPOSA

VÁLVULAS DE MARIPOSA  
WAFER



COMPONENTES	MATERIAL
1	TORNILLOS A2
2	TUERCAS A2
3	PALANCA ALUMINIO/FUNDICIÓN
4	EJE AISI 420
5	DISCO GJS400/CF8M/AL - BRONCE/DUPLEX
6	ANILLO ASIENTO EPDM/NBR/PTFE/VITON
7	CUERPO GJS400
8	JUNTAS TÓRICAS EPDM
9	PLACA SUJECIÓN ACERO 8.8
10	TORNILLO A2
	PINTURA RAL 5015 EPOXI 250 µm



DIMENSIONES

DN	A	B	C	D	E	F	L	Peso (kg)
40	79	145	154	144	27	45	33	4,5
50	85	162	154	144	27	45	43	5
65	98	174	154	144	27	45	46	5,5
80	104	181	154	144	27	45	46	6
100	123	200	156	144	27	45	52	7,4
125	136	213	156	144	27	45	56	9,4
150	148	225	156	144	27	45	56	10,7
200	186	260	211	283	39	72	60	19,8
250	212	292	211	283	39	72	68	28,7
300	251	337	200	283	37	75	78	37,4
350	277	368	200	283	42	75	78	46
400	308	400	285	385	48	130	102	75
450	342	422	285	385	48	130	114	89
500	374	479	250	283	115	180	127	128
600	459	562	293	385	120	215	154	206
700	520	624	355	423	172	251	165	332
800	575	672	355	423	172	165	190	436
900	635	768	375	423	185	165	203	616
1000	685	823	375	423	185	330	216	700,8
1200	839	940	530	423	247	330	254	960

## WATER SUPPLIES

## 22A

VÁLVULAS DE MARIPOSA  
LUG

## DESCRIPCIÓN

Válvulas de mariposa Lug, para abastecimiento, bombeo, abastecimiento de agua potable, tratamiento y bombeo de aguas sucias... Presenta mínima pérdida de carga y es 100% estanca y de paso total.

- 100% estancas.
- Flujo bidireccional.
- No se necesitan juntas para su instalación.
- Tornillería en acero inoxidable.
- Máxima presión de trabajo 16 bar.
- Temperatura de trabajo entre -10°C y 90°C.

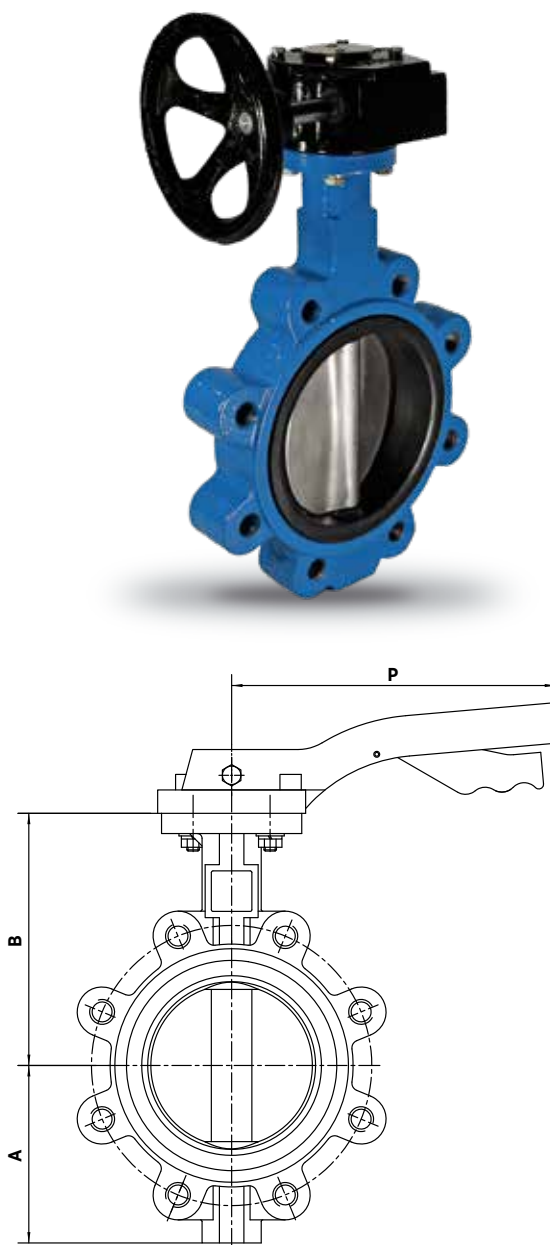
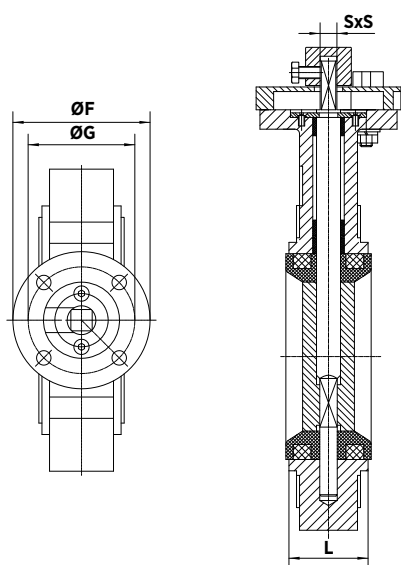
## NORMATIVA APLICADA

- Pruebas hidrostáticas según EN 12266-1, clase A.
- Directiva CE.
- Bridas laterales según ISO 7005-2.
- Distancia entre caras según EN 558 serie 20.
- Brida superior según ISO 5211.
- Fabricación según EN 593.

## DIRECTIVAS

- De equipos a presión:  
**(PED) ART 4.3 /CAT.1.**
- De atmósferas explosivas:  
**(ATEX) CAT.3 ZONA 2 y 22 GD.**

Para información de categorías y zonas, contactar con el departamento técnico-comercial de **CMO Valves**.



## DIMENSIONES

DN	A	B	F	G	L	P	S
40	70	124	65	50	33	198	9
50	76	129	65	50	43	198	9
65	89	126	65	50	46	198	9
80	95	144	65	50	46	198	9
100	114	162	90	70	52	270	11
125	127	188	90	70	56	270	14
150	139	204	90	70	56	270	14
200	177	238	90	70	60	270	17
250	203	282	125	102	68	540	22
300	242	311	125	102	78	540	22



# 23A

## VÁLVULAS DE MARIPOSA DOBLE BRIDA

### DESCRIPCIÓN

Válvulas de mariposa doble brida, para regulación y seccionamiento del flujo en redes de abastecimiento y distribución de agua, bombeo, regadío... Presenta mínima pérdida de carga debido al diseño hidrodinámico del disco, es 100% estanca y no necesita juntas para la instalación.

- Asiento vulcanizado que evita el contacto del fluido con el cuerpo, evitando así desgastes y corrosión.
- Estanqueidad 100%.
- Flujo bidireccional.
- Bordos del disco pulidos para evitar daños en el asiento.
- No precisa juntas de montaje.
- Presión de trabajo máxima, según PN.
- Temperatura de trabajo entre -10°C y 90°C.

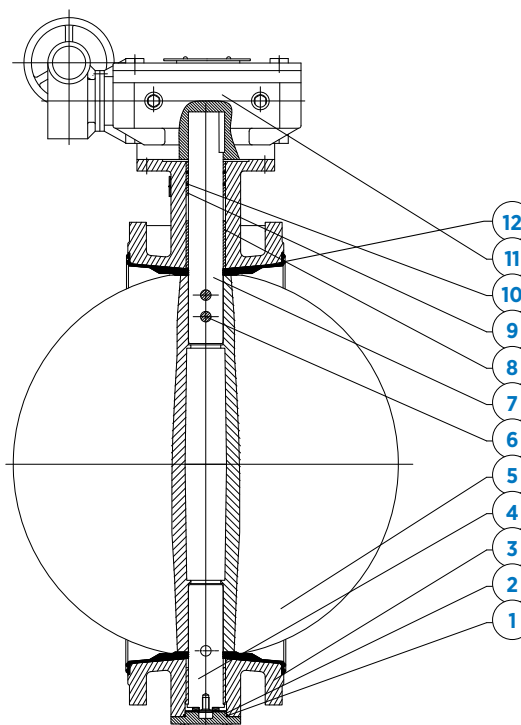
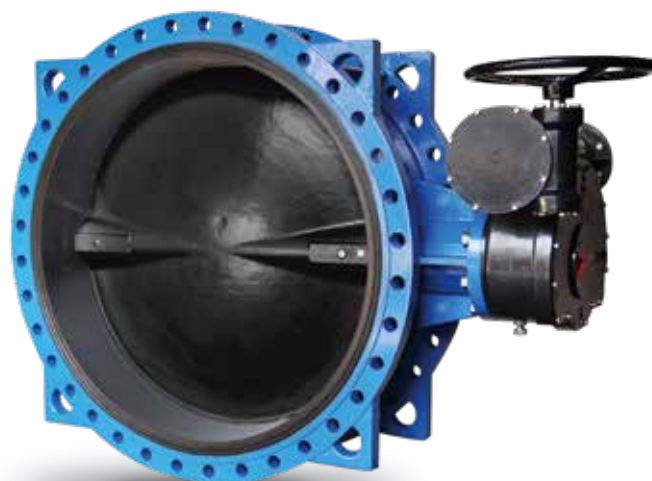
### NORMATIVA APLICADA

- Diseño según EN 593.
- Pruebas hidráulicas según EN 12266-1, clase A.
- Directiva CE.
- Certificado de producto EN 1074-2.
- Distancia entre caras según EN 558 serie 13.

### DIRECTIVAS

- De equipos a presión:  
**(PED) ART 4.3 /CAT.1.**
- De atmósferas explosivas:  
**(ATEX) CAT.3 ZONA 2 y 22 GD.**

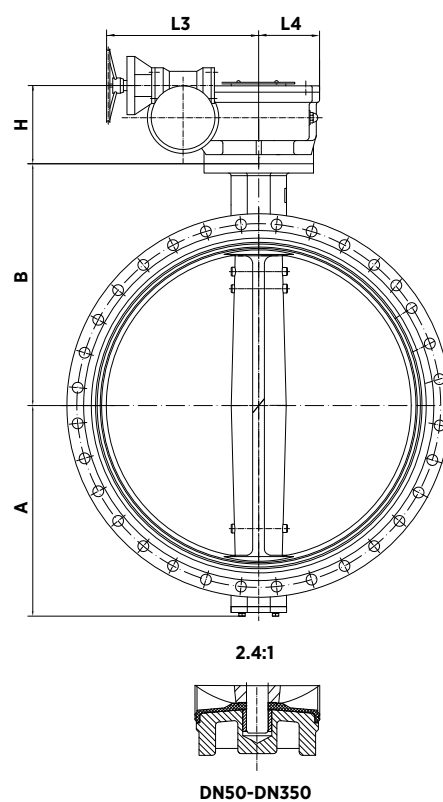
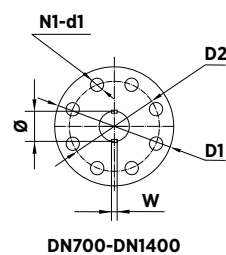
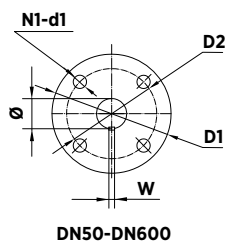
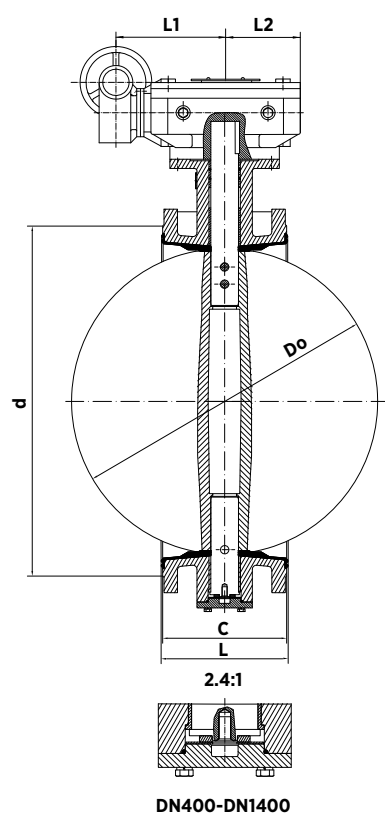
Para información de categorías y zonas, contactar con el departamento técnico-comercial de **CMO Valves**.



COMPONENTES	MATERIAL
1 JUNTA TÓRICA	NBR
2 TAPA	GJS400
3 CUERPO	GJS400
4 EJE INFERIOR	AISI 420
5 DISCO	CF8M/GJS400/Al-Bronce/Dúplex
6 PASADORES	AISI 420
7 EJE SUPERIOR	AISI 420
8 COJINETE LARGO	BRONCE
9 COJINETE CORTO	BRONCE
10 JUNTA TÓRICA	NBR
11 REDUCTOR	GJL250
12 ASIENTO	EPDM/NBR
PINTURA RAL 5015	EPOXI 250 µm

WATER SUPPLIES

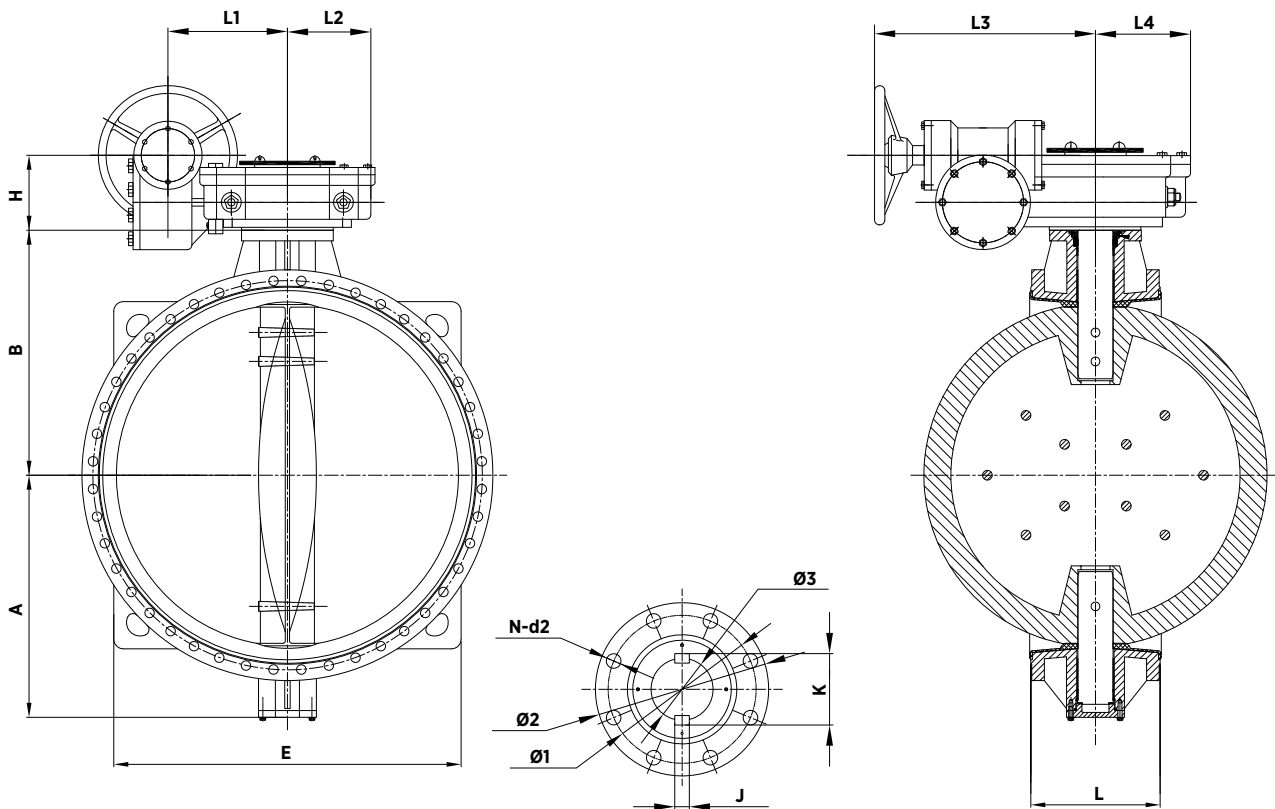
23A



DIMENSIONES

DN	A	B	H	Do	C	L	d	D1	D2	N1-d1	Φ	W	L1	L2	L3	L4	PN10 (kg)	PN16 (kg)
50	80	120	40	53	108	111	99	65	50	4-7	12.6	3	45	53	155	53	7.6	7.6
65	89	130	40	64	112	115	118	65	50	4-7	12.6	3	45	53	155	53	9.7	9.7
80	95	145	40	79	114	117	132	65	50	4-7	12.6	3	45	53	155	53	10.6	10.6
100	114	155	40	104	127	130	156	90	70	4-10	15.77	5	45	53	155	53	13.8	13.8
125	125	170	40	123	140	143	184	90	70	4-10	18.92	5	45	53	155	53	18.2	18.2
150	139	190	40	156	140	143	211	90	70	4-10	18.92	5	45	53	155	53	21.7	21.7
200	170	205	40	202	152	155	266	125	102	4-12	22.1	5	63	76	235	76	31.8	31.8
250	198	235	40	250	165	168	319	125	102	4-12	28.45	8	63	76	235	76	44.7	44.7
300	223	280	46	302	178	182	370	125	102	4-12	31.6	8	78	78	225	78	57.9	59
350	254	310	46	333	190	194	429	150	125	4-14	31.6	8	78	78	225	78	81.6	86
400	306	340	112	340	216	221	480	175	140	4-18	37.95	10	181	104	254	104	106	119
450	345	375	112	441	222	227	548	175	140	4-18	42.86	12	181	104	254	104	147	165
500	378	430	112	492	229	234	609	175	140	4-18	45.72	14	181	104	254	104	165	185
600	440	500	130	592	267	272	720	210	165	4-22	53.98	16	200	131	301	131	235	263
700	510	560	167	694	292	299	794	300	254	8-18	63.35	18	228	146	355	146	238	361
800	560	620	167	795	318	325	901	300	254	8-18	70	20	228	146	355	146	475	484
900	638	685	173	864	330	337	1001	300	254	8-18	80	22	243	170	403	170	595	598
1000	705	735	173	964	410	417	1112	300	254	8-18	90	25	243	170	403	170	794	824
1200	815	917	231	1159	470	478	1328	350	298	8-22	105	28	302	250	491	180	1290	1223

VÁLVULAS DE MARIPOSA  
DOBLE BRIDA



DIMENSIONES

DN	A	B	H	E	L	Ø1	Ø2	N-d2	Ø3	K	J	L1	L2	L3	L4	PN10 (kg)	PN16 (kg)
1400	918	1040	292	1410	530	356	415	8-33	120	134	32	370	320	600	230	2130	2386
1600	1110	1150	310	1630	600	356	415	8-33	140	156	36	448	425	665	316	3560	4055
1800	1255	1270	327	1800	670	406	475	8-40	160	178	40	461	475	715	360	4620	5570
2000	1350	1323	438	1960	760	406	475	8-40	160	178	40	695	562	980	405	6160	7240
2200	1430	1500	438	2150	636	483	560	12-40	180	200	45	695	562	980	405	6730	7900
2400	1523	1560	462	2330	750	603	686	20-40	220	242	50	831	714	1056	438	9586	11600

## WATER SUPPLIES

## 24A

## DESCRIPCIÓN

Válvulas de mariposa biexcéntrica, para regulación y seccionamiento del flujo en redes de abastecimiento y distribución de agua, bombeo, regadío... Asegura un cierre adecuado y fiable a altas presiones y es 100% estanca.

- Gran durabilidad de la junta.
- Asiento soldado de acero inoxidable AISI 304.
- Estanqueidad 100%.
- La junta se puede cambiar sin desmontar la válvula.
- Presión máxima de trabajo de acuerdo a la presión de diseño PN10/16/25.

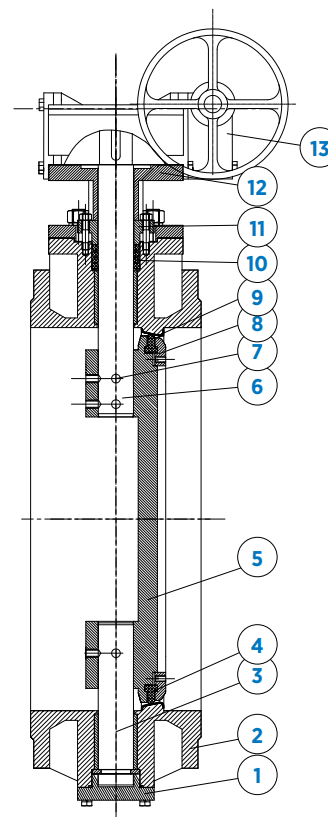
## NORMATIVA APLICADA

- Pruebas hidráulicas según EN 12266-1, clase A.
- Directiva CE.
- Bridas laterales según ISO 7005-2
- Brida superior para acople de actuador según ISO 5211.
- Distancia entre caras según EN 558-1 serie 14.

## DIRECTIVAS

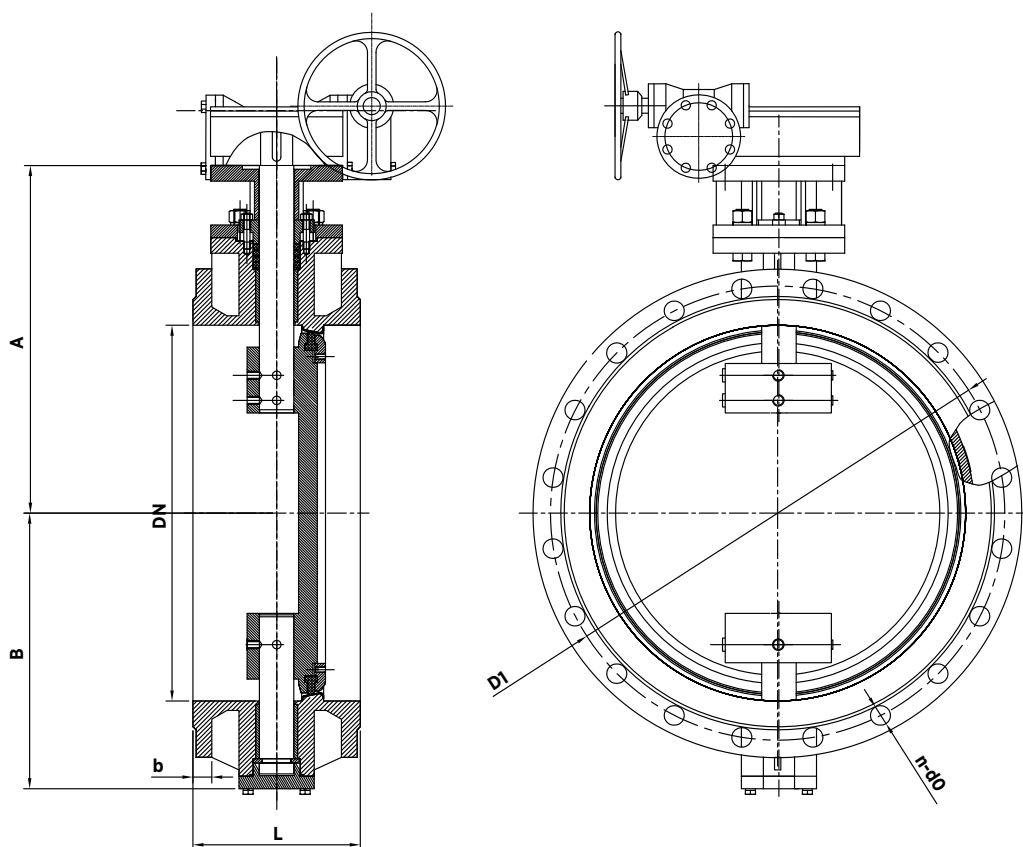
- De equipos a presión:  
**(PED) ART 4.3 /CAT.1.**
- De atmósferas explosivas:  
**(ATEX) CAT.3 ZONA 2 y 22 GD.**

Para información de categorías y zonas, contactar con el departamento técnico-comercial de **CMO Valves**.



COMPONENTES	MATERIAL
1 CUBIERTA INFERIOR	GJS400
2 CUERPO	GJS400
3 EJE INFERIOR	AISI 420
4 ANILLO SELLADO	EPDM/NBR
5 DISCO	GJS400
6 EJE SUPERIOR	AISI 420
7 PASADOR	AISI 420
8 ARO APRIETE	GJS400
9 ASIENTO	AISI 304
10 JUNTA TORICA	NBR
11 EMPAQUETADURA	GJS400
12 COLLARIN	GJS400
13 REDUCTOR	GJL250
TORNILLERIA	A2
PINTURA RAL 5015	EPOXI 250 µm

VÁLVULAS DE MARIPOSA  
BIEXCÉNTRICAS



DIMENSIONES

DN	L	BRIDA		PN10						PN16						PN25								
		ISO 5211	ISO 5210	A	B	b	D1	n-d0	Par		A	B	b	D1	n-d0	Par		A	B	b	D1	n-d0	Par	
									Eje Libre	Re-duc.							Eje Libre	Re-duc.						Eje Libre
100	190	F07	F10	210	122	19	180	8-19	70	6	210	122	19	180	8-19	100	9	210	122	19	190	8-23	120	11
150	210	F07	F10	270	168	19	240	8-23	200	14	270	168	19	240	8-23	280	20	270	168	20	250	8-28	336	24
200	230	F10	F10	290	195	20	295	8-23	310	22	290	195	20	295	12-23	440	31	290	195	22	310	12-28	530	38
250	250	F10	F10	358	230	22	350	12-23	400	28	358	230	22	355	12-28	560	40	358	230	24.5	370	12-31	670	48
300	270	F14	F10	378	267	24.5	400	12-23	600	26	378	267	24.5	410	12-28	840	36	378	267	27.5	430	16-31	1008	43
350	290	F14	F10	392	320	24.5	460	16-23	890	38	392	320	26.5	470	16-28	1240	53	392	320	30	490	16-34	1480	63
400	310	F14	F10	521	330	24.5	515	16-28	1100	13	521	330	28	525	16-31	1540	19	521	330	32	550	16-37	1840	22
450	330	F14	F10	530	378	25.5	565	20-28	1600	19	530	378	30	585	20-31	2240	27	530	378	34.5	600	20-37	2690	33
500	350	F16	F10	576	420	26.5	620	20-28	2500	28	576	420	31.5	650	20-34	3500	40	576	420	36.5	660	20-37	4200	48
600	390	F16	F10	657	450	30	725	20-31	3000	34	657	450	36	770	20-37	4200	48	657	450	42	770	20-41	5040	57
700	430	F25	F10	680	520	32.5	840	24-31	3700	41	680	520	39.5	840	24-37	5180	58	680	520	46.5	875	24-44	6220	70
800	470	F25	F12	730	545	35	950	24-34	5600	63	730	545	43	950	24-41	7840	88	730	545	51	990	24-50	9400	105
900	510	F25	F12	770	635	37.5	1050	28-34	6800	63	770	635	46.5	1050	28-41	9520	88	770	635	55.5	1090	28-50	11400	106
1000	550	F25	F12	902	716	40	1160	28-37	9800	91	902	716	50	1170	28-44	13700	127	902	716	60	1210	28-57	16440	153
1200	630	F30	F12	957	820	45	1380	32-41	14700	108	957	820	57	1390	32-50	18900	139	957	820	69	1420	32-57	22680	167

# 25A

## VÁLVULAS DE MARIPOSA RANURADA

### DESCRIPCIÓN

Válvulas de mariposa ranurada, para abastecimiento, bombeo, abastecimiento de agua potable, tratamiento y bombeo de aguas sucias... Permiten la regulación y seccionamiento del flujo en instalaciones contra incendios, abastecimiento y distribución de agua y riego, especialmente pensadas para conexión rápida mediante abrazaderas. Asegura un cierre adecuado y fiable a altas presiones y es 100% estanca.

- Baja pérdida de carga.
- Flujo bidireccional.
- Máxima presión de trabajo 16 bar.
- Temperatura de trabajo entre -10°C y 90°C.

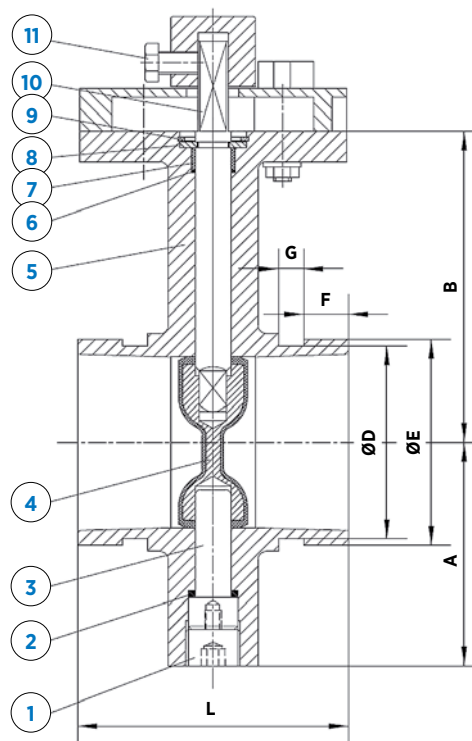
### NORMATIVA APLICADA

- Pruebas hidrostáticas según EN 12266-1, clase A.
- Directiva CE.
- Brida superior según ISO 5211.

### DIRECTIVAS

- De equipos a presión:  
**(PED) ART 4.3 /CAT.1.**
- De atmósferas explosivas:  
**(ATEX) CAT.3 ZONA 2 y 22 GD.**

Para información de categorías y zonas, contactar con el departamento técnico-comercial de **CMO Valves**.



COMPONENTES	MATERIAL
1 TAPÓN	ACERO CARBONO
2 JUNTA TÓRICA	EPDM
3 EJE INFERIOR	AISI 420
4 DISCO	GJS400 + EPDM
5 CUERPO	GJS400
6 JUNTA TÓRICA	EPDM
7 COJINETE	PTFE
8 ARANDELA	ACERO CARBONO
9 ANILLO RETENCIÓN	ACERO CARBONO
10 EJE SUPERIOR	AISI 420
11 TORNILLO	A2
PINTURA RAL 5015	EPOXI 250 µm

### DIMENSIONES

DN	A	B	D	E	F	G	L
50	65	102	57	60.5	16	8	81
65	72	112	69	73	16	8	97
80	80	118	85	89	16	8	97
100	100	137	110	114.5	16	9.5	116
125	118	149	137	141.5	16	9.5	148
150	140	170	164	168.5	16	9.5	148
200	175	204	214.5	219	19	11.5	134
250	215	250	268.5	273	19	13	159
300	258	275	318.5	324	19	13	165

## WATER SUPPLIES

## 27A

## DESCRIPCIÓN

Válvulas de mariposa doble brida, para regulación y seccionamiento del flujo en redes de abastecimiento y distribución de agua, bombeo, regadío... Presenta mínima pérdida de carga debido al diseño hidrodinámico del disco, es 100% estanca y no necesita juntas para la instalación.

- Mínima pérdida de carga.
- Asiento retirable que ajusta en el cajeadado mecanizado en el cuerpo, evitando así desgastes y corrosión.
- Estanqueidad 100%.
- Flujo bidireccional.
- Bordes del disco pulidos para evitar daños en el asiento.
- No precisa juntas de montaje.
- Presión de trabajo máxima según presión de diseño PN10/16.
- Temperatura de trabajo entre -10°C y 90°C.

## NORMATIVA APLICADA

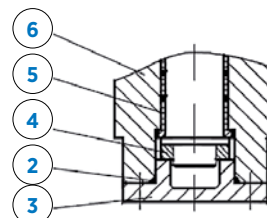
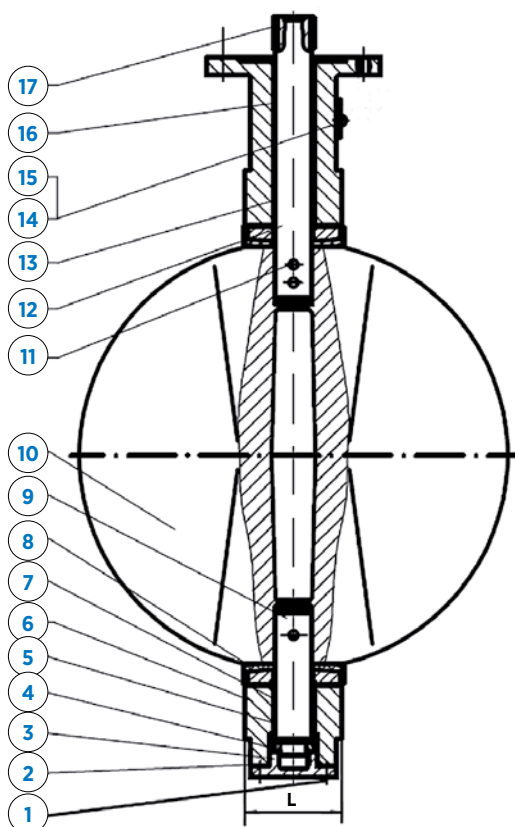
- Pruebas hidráulicas según EN 12266-1, clase A.
- Directiva CE.
- Bridas laterales según ISO 7005-1.
- Brida superior para acople de actuador según ISO 5211.
- Distancia entre caras según EN 558-1 serie 20.
- Diseño según EN 593.

## DIRECTIVAS

- De equipos a presión:  
**(PED) ART 4.3 /CAT.1.**
- De atmósferas explosivas:  
**(ATEX) CAT.3 ZONA 2 y 22 GD.**

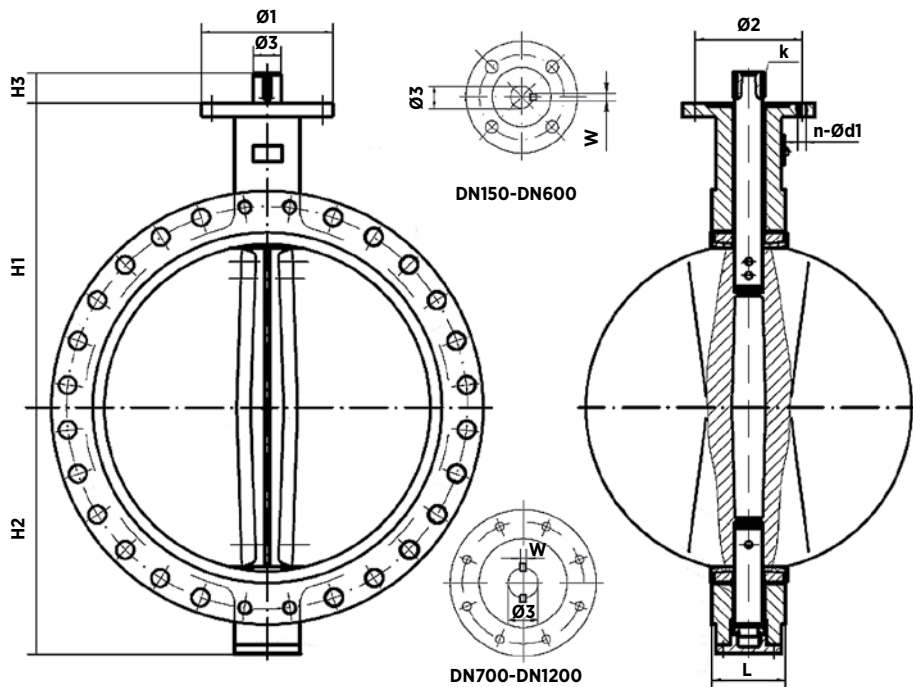
Para información de categorías y zonas, contactar con el departamento técnico-comercial de **CMO Valves**.

COMPONENTES	MATERIAL
1 TORNILLOS	A2
2 JUNTA TÓRICA	NBR
3 TAPA INFERIOR	GJS400
4 JUNTA	LATÓN
5 COJINETE INFERIOR	BRONCE AUTOLUBRICADO
6 CUERPO	GJS400
7 JUNTA TÓRICA	NBR
8 ASIENTO	EPDM
9 EJE INFERIOR	AISI 420
10 DISCO	CF8M/GJS400/Al-Bronce/Dúplex
11 PASADOR	AISI 420
12 EJE SUPERIOR	AISI 420
13 COJINETE SUPERIOR	BRONCE AUTOLUBRICADO
14 PLACA	AISI 304
15 REMACHES	ALUMINIO
16 COJINETES	BRONCE AUTOLUBRICADO
17 CHAVETA	ASTM A29
PINTURA RAL 5015	EPOXI 250 µm



VISTA DETALLE PARTE INFERIOR

VÁLVULAS DE MARIPOSA  
DOBLE BRIDA



**Nota:**  
DN150-DN800 Eje de una pieza.  
DN900-DN1200 Eje de dos piezas.

DIMENSIONES

DN	1	2	3	n-d1	L	H1	H2	H3	W	Peso (kg)
150	90	70	18.92	4-10	56	229	139	28	5	15,2
200	125	102	22.1	4-12	60	260	175	38	5	29
250	125	102	28.45	4-12	68	292	203	38	8	39
300	125	102	31.6	4-12	78	337	242	38	8	49
350	150	125	31.6	4-14	78	368	267	45	8	64
400	175	140	37.95	4-18	102	400	325	60	10	126,9
450	175	140	42.86	4-18	114	422	345	60	12	152,9
500	175	140	45.72	4-18	127	480	378	75	14	186,9
600	210	165	53.98	4-22	154	562	475	75	16	270,4
700	300	254	63.35	8-18	165	624	535	75	18	439
800	300	254	70	8-18	190	672	606	75	20	569
900	300	254	80	8-18	203	720	670	110	22	818
1000	300	254	90	8-18	216	800	735	135	25	918
1200	350	298	105	8-22	254	940	878	150	28	1402